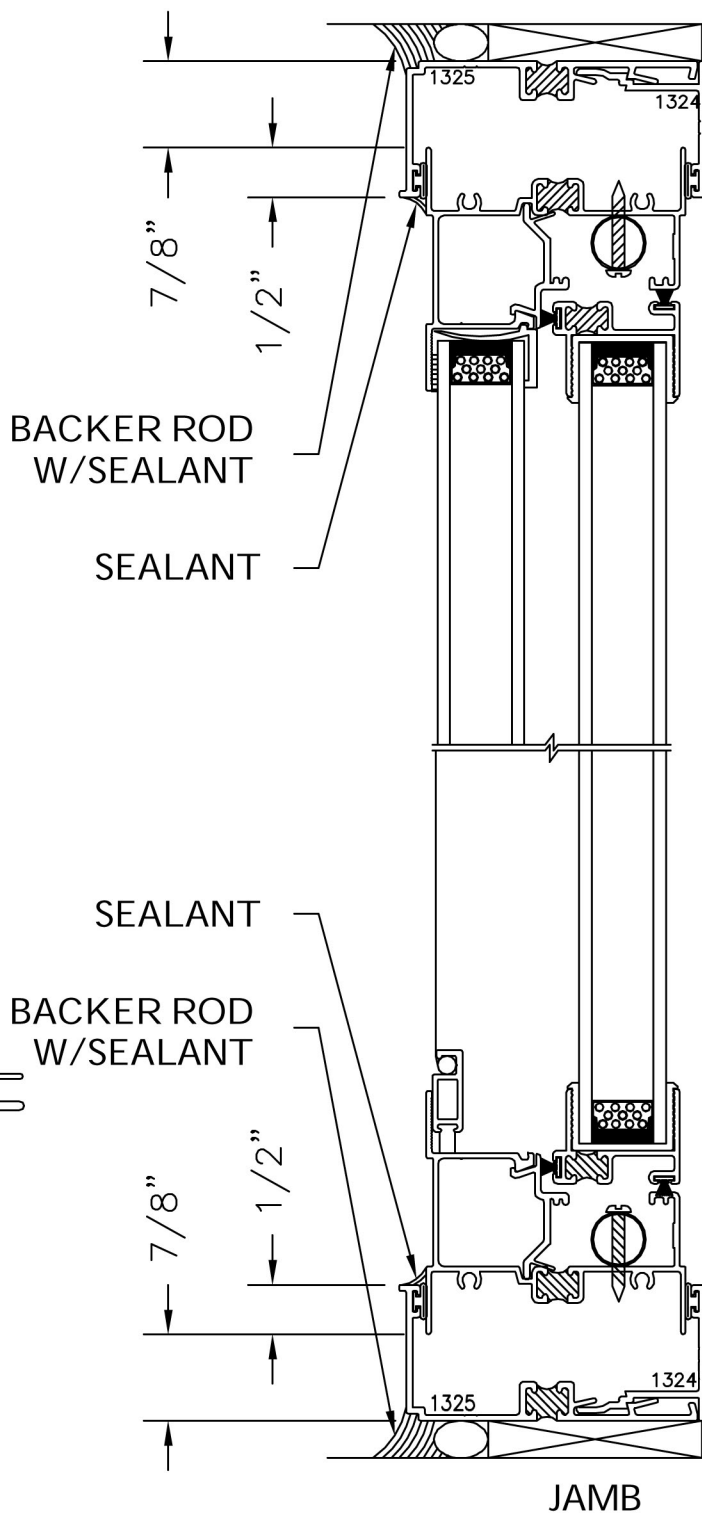
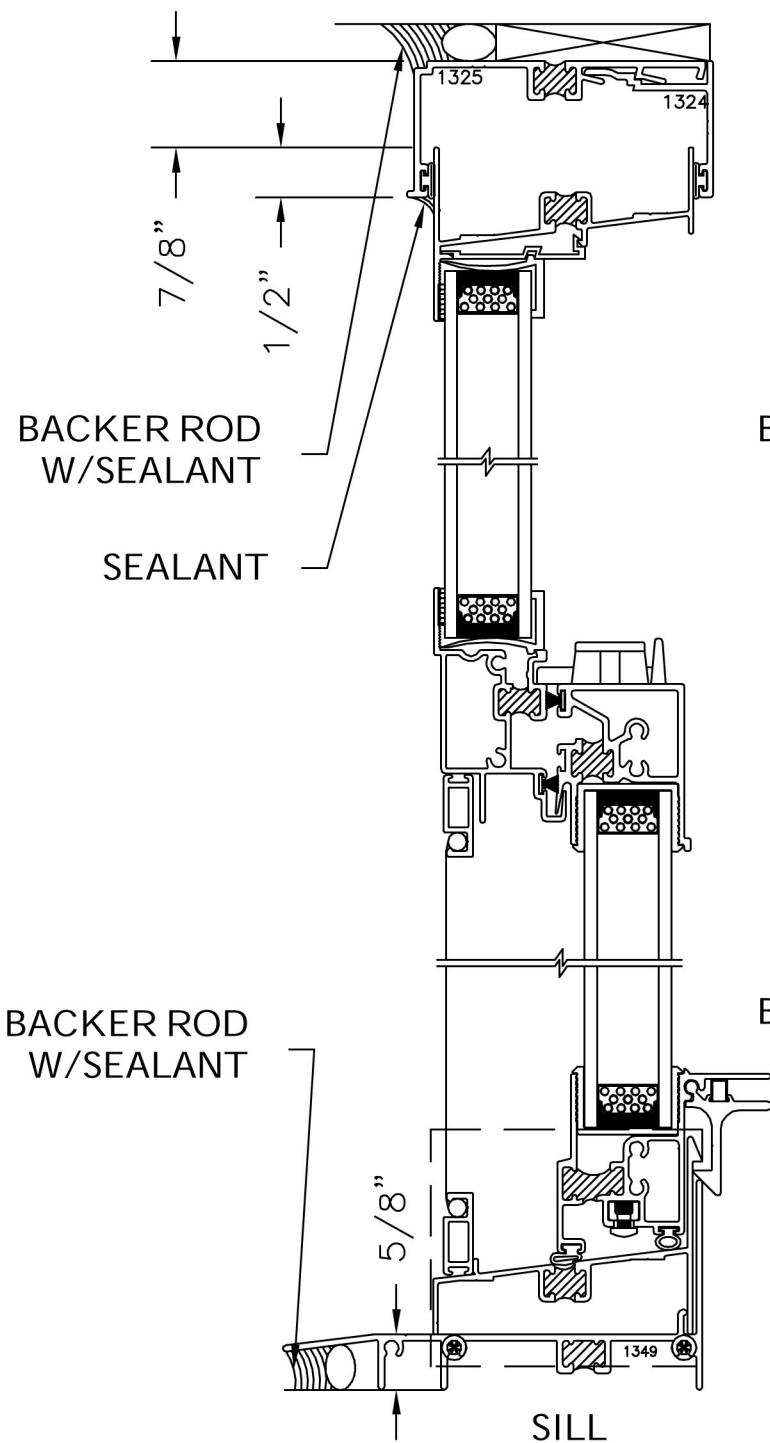


HEAD

JAMB



SERIES 500 2 5/8"
w/ RECEPTOR AND SUBSILL

07/23/10

PAGE 01



THERMAL
WINDOWS, INC.