

SERIES 4150 4" FIXED WINDOW (AW80)

SPECIFICATIONS

I. GENERAL:

Scope of Work - Furnish all necessary materials, labor and equipment for the complete installation of aluminum windows for this project as shown on the drawings and herein specified. Windows shall be the "Series 4150" as manufactured by Thermal Windows, Inc., Tulsa, Oklahoma. The "Series 4150" is a fixed lite picture window with a thermally improved frame. The specifications and materials for the "Series 4150" are as follows:

II. PRODUCTS:

Materials - Aluminum shall be of proper alloy for commercial window construction. All extruded sections shall be of 6063-T5 aluminum alloy.

Frame - Main frame members shall be a nominal thickness as required by ANSI/AAMA 101. Main frame shall be 4.000" in depth. Main frames members are to be extruded aluminum with a structural thermal barrier of high density low thermal conductivity polyurethane, poured and debridged.

III. CONSTRUCTION:

Assembly - Main frame shall be a mechanically joined construction. Corner joints should be "seam sealed" with a quality grade of sealant meeting the requirements of AAMA 803.3. The sash shall be assembled with two screws at each corner. All screws at joints of sash and main frame shall be secured into integral screw ports.

Glazing - Glass shall be factory glazed with an interior aluminium glazing bead with a wedge gasket. The insulated glass units shall be 1.000" overall thickness with two lites of .125" glass, separated by a .750" air space for optimum insulation. All insulated glass units shall meet the requirements of the ASTM E 2190 specification, Class "A".

Finish - Shall be a factory applied baked polyurethane powder coat finish meeting the requirements of AAMA 2604 for Pigmented Organic Coating on Extruded Aluminum. Standard Tier I colors available are bronze, white, crème, sandstone, and almond. Bronze anodizing, clear anodizing and high performance AAMA 605.2 finishes are optional.

IV. PERFORMANCE:

Structural - Shall meet the requirements of AAMA/WDMA/CSA 101/I.S.2/A440-08, AW-PG80 specification.

NFRC - Shall meet the requirements of NFRC 100 and 200.

Forced Entry - Shall meet the requirements for ASTM F588 Load Identification Grade 10.

AT/FP - Shall meet the requirements of UFC 4-010-01. Engineering Calculations to ASTM F 2248-03 and/or Shock Tube Testing to ASTM F 1642/GSA TS01 Level 2/Minimal Hazard.

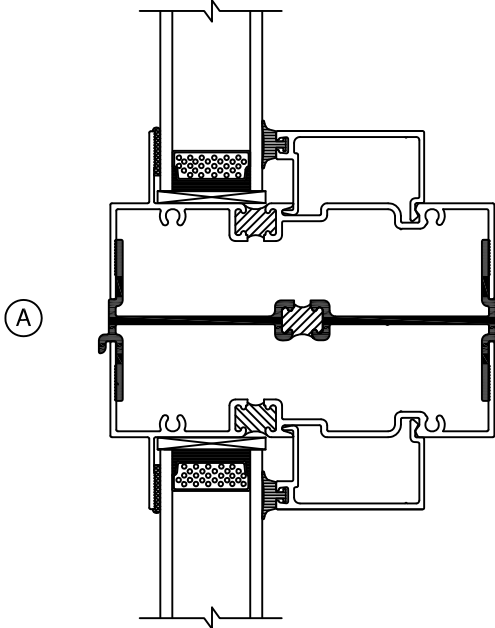
V. INSTALLATION:

Qualifications - Only skilled mechanics with experience in this trade. Units shall be installed plumb, level, square and shall be secured in accordance with detailed shop drawings. A non-hardening sealant compatible with aluminum shall be provided by the installer and applied in sufficient quantity to provide a weathertight seal between the window and surrounding construction.

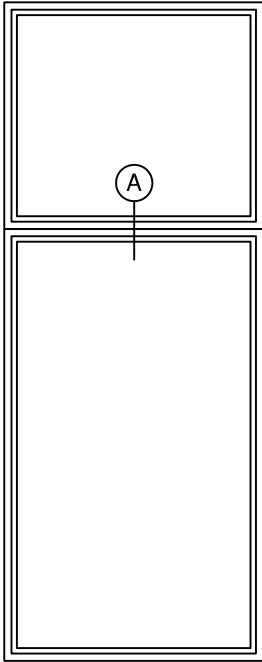
Installation Details - The window manufacturer shall submit complete installation details for the Architects approval. The drawings shall show elevations of windows, full size details of frame and vents, details of construction and anchorage of window.

SERIES 4150 4" FIXED WINDOW (AW80)

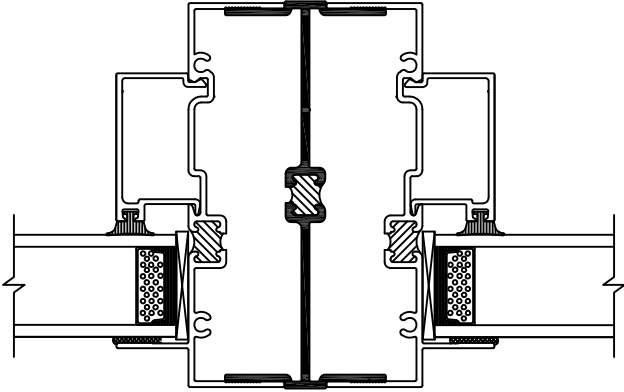
Typical Configurations (Scale: Half Size)



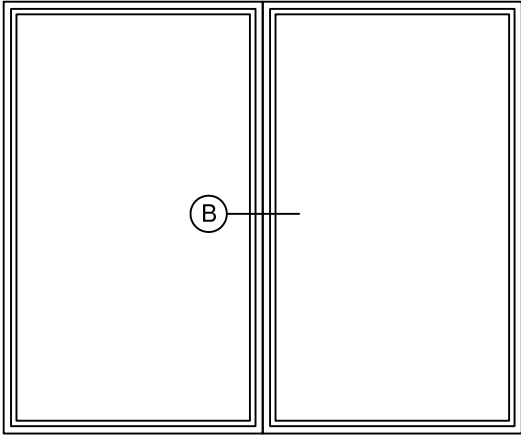
4150 FW - 4150 FW



4150 FW - 4150 FW



4150 FW - 4150 FW

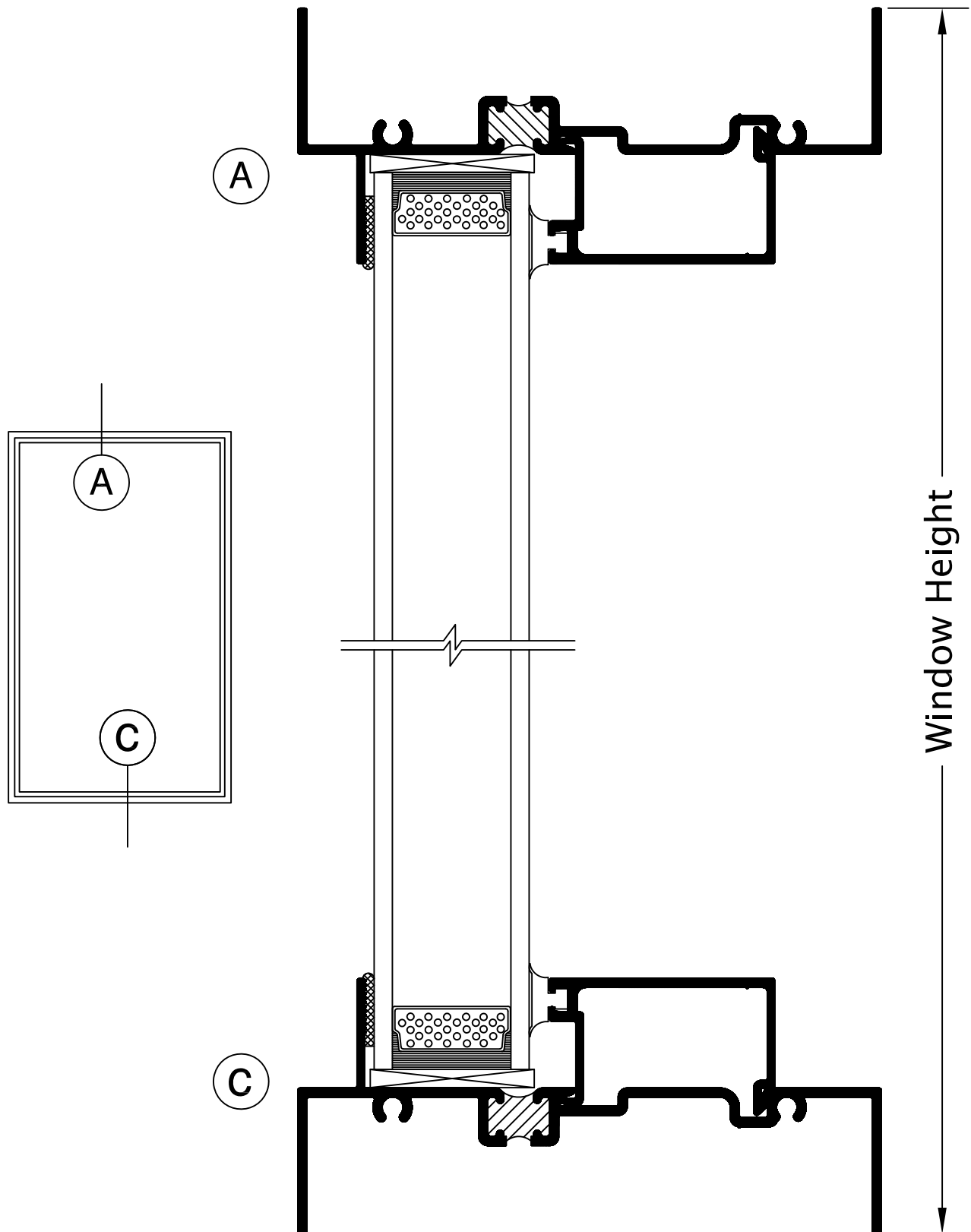


4150 FW - 4150 FW

See Accessories section for additional options

SERIES 4150 4" FIXED WINDOW (AW80)

Product Details (Scale: Full Size)



SERIES 4150 4" FIXED WINDOW (AW80)

Product Details (Scale: Full Size)

