

# SERIES 4150HS 4" FIXED WINDOW (AW80 / IMPACT)

## SPECIFICATIONS

### I. GENERAL: Hurricane Impact Test - Single Glazed

Scope of Work - Furnish all necessary materials, labor and equipment for the complete installation of aluminum windows for this project as shown on the drawings and herein specified. Windows shall be the "Series 4150HS" as manufactured by Thermal Windows, Inc., Tulsa, Oklahoma. The "Series 4150HS" is a fixed lite picture window with a thermally improved frame. The specifications and materials for the "Series 4150HS" are as follows:

### II. PRODUCTS:

Materials - Aluminum shall be of proper alloy for commercial window construction. All extruded sections shall be of 6063-T5 aluminum alloy.

Frame - Main frame members shall be a nominal thickness as required by ANSI/AAMA 101. Main frame shall be 4.000" in depth. Main frames members are to be extruded aluminum with a structural thermal barrier of high density low thermal conductivity polyurethane, poured and debridged.

### III. CONSTRUCTION:

Assembly - Main frame shall be a mechanically joined construction. Corner joints should be "seam sealed" with a quality grade of sealant meeting the requirements of AAMA 803.3. The sash shall be assembled with two screws at each corner. All screws at joints of sash and main frame shall be secured into integral screw ports.

Glazing - Glass shall be factory glazed with an interior aluminium glazing bead with a wedge gasket. The glazing shall be in accordance with actual impact testing options. The Glazing options include Single Glazed Laminated Units (Large & Small Missile). Optional Insulated Glass Units with Polycarbonate Interlayer (Large & Small Missile). Optional Single Glazed Laminated Units (Large & Small Missile).

Finish - Shall be a factory applied baked polyurethane powder coat finish meeting the requirements of AAMA 2603 for Pigmented Organic Coating on Extruded Aluminum. Refer to "Colors and Finishes" chart for examples. Bronze anodizing, clear anodizing and high performance AAMA 2605 finishes are optional.

### IV. PERFORMANCE:

Impact- Shall meet the requirements of Miami Dade Protocols (PA201, 202, 203); SSTD 12-99; ASTM E330.

Structural - Shall meet the requirements of ANSI/AAMA 101 I.S.2-97 F-AW80 specification.

NFRC - Shall meet the requirements of NFRC 100-97 and 200.

Forced Entry - Shall meet the requirements for AAMA 1302.5-76 and ASTM F588 Load Identification Level 10.

Sound Transmission Class - Shall meet the requirements of ASTM E90. Ratings vary depending upon glazing. See Product Selection Guide for summary.

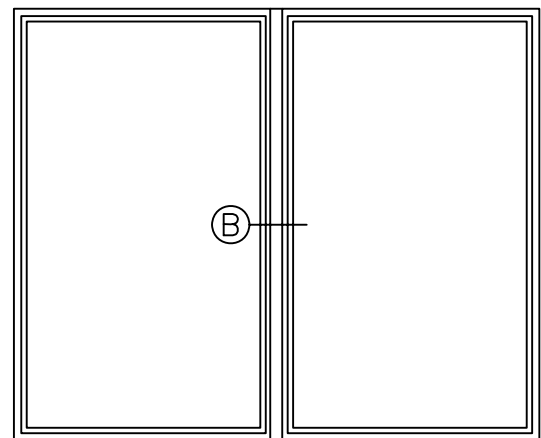
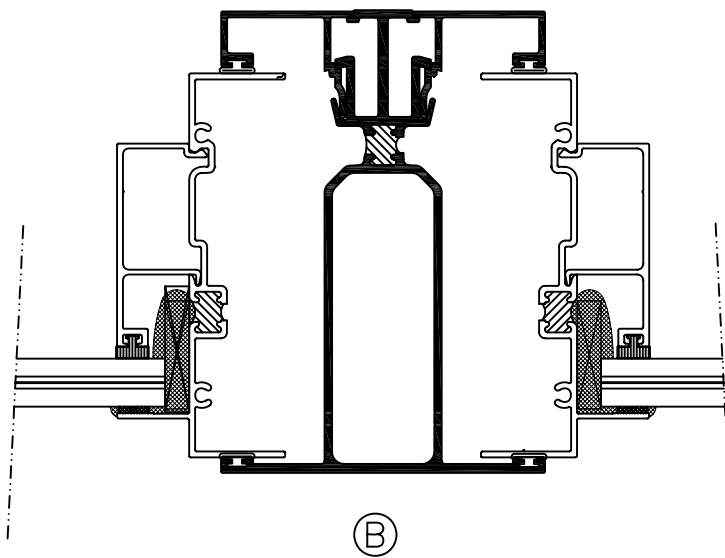
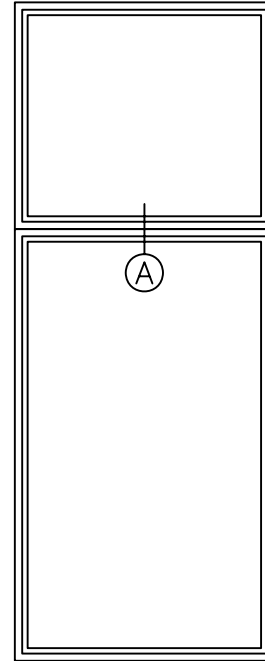
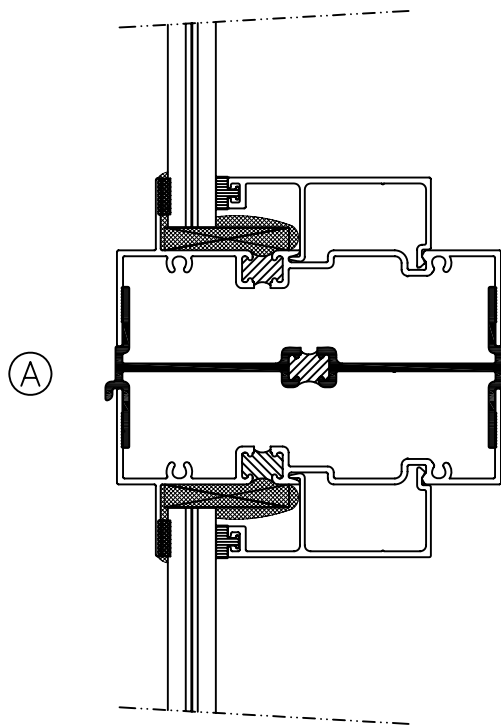
### V. INSTALLATION:

Qualifications - Installation shall be performed by skilled, experienced tradesmen. Units shall be installed plumb, level, square and shall be secured in accordance with detailed shop drawings. A non-hardening sealant compatible with aluminum shall be provided by the installer and applied in sufficient quantity to provide a weathertight seal between the window and surrounding construction.

Installation Details - The window manufacturer shall submit complete installation details for the Architects approval. The drawings shall show elevations of windows, full size details of frame and vents, details of construction and anchorage of window

# SERIES 4150HS 4" FIXED WINDOW (AW80 / IMPACT)

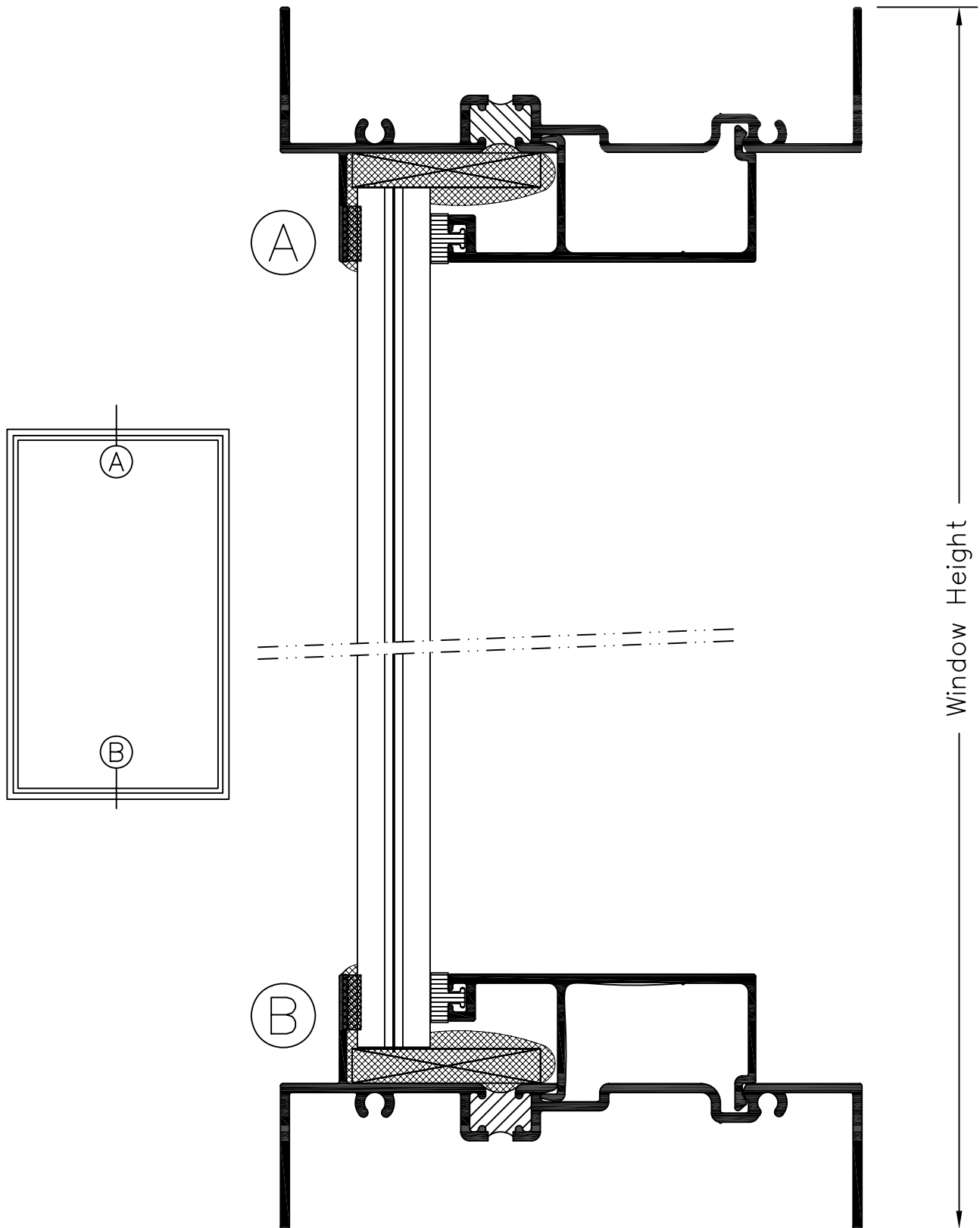
## Typical Configurations (Scale: Half size)



See Accessories section for additional options

# SERIES 4150HS 4" FIXED WINDOW (AW80 / IMPACT)

Product Details (Scale: Full size)



# SERIES 4150HS 4" FIXED WINDOW (AW80 / IMPACT)

Product Details (Scale: Full size)

