

SERIES 527 2-5/8" HORIZONTAL SLIDING WINDOW (C55)

SPECIFICATIONS

I. GENERAL:

Scope of Work - Furnish all necessary materials, labor and equipment for the complete installation of aluminum windows for this project as shown on the drawings and herein specified. Windows shall be the "Series 527" as manufactured by Thermal Windows, Inc., Tulsa, Oklahoma. The "Series 527" is a horizontal single slider with thermally improved frame and sash consisting of an operable, removable, sliding sash and a fixed side lite. The specifications and materials for the "Series 527" are as follows:

II. PRODUCTS:

Materials - Aluminum shall be of proper alloy for commercial window construction. All extruded sections shall be of 6063-T5 aluminum alloy.

Frame - Main frame and sash members shall be a nominal thickness as required by ANSI/AAMA 101. Main frame shall be 2.625" in depth. Vertical sash members shall be hollow extrusions. Main frames and sash members are to be extruded aluminum with a structural thermal barrier of high density low thermal conductivity polyurethane, poured and debridged.

Locks - Shall consist of a cam latch at the interlocking meeting rail along with an independent spring loaded latch for the sash.

Weatherstripping - Shall be .250 polypile with mylar fins conforming to AAMA 701.2, Specification for Pile Weatherstrip. Weatherstripping shall be doubled at all points of contact of the sash and main frames and at the interlocking meeting rail.

III. CONSTRUCTION:

Assembly - Main frame shall be a mechanically joined construction. Corner joints should be "seam sealed" with a quality grade of sealant meeting the requirements of AAMA 803.3. The sash shall be assembled with two screws at each corner. All screws at joints of sash and main frame shall be secured into integral screw ports.

Glazing - Glass in the operable sash shall be factory glazed with a marine (wrap around) reusable vinyl glazing channel. The fixed side lite shall be inside glazed, using a rigid vinyl glazing bead. The insulated glass units shall be .875" overall thickness with two panes of double strength glass, separated by a .625" air space for optimum insulation. All insulated glass units shall meet the requirements of the ASTM E 2190 specification, Class "A".

Screens - Screen frame shall be of hollow extruded aluminum frames. Finish shall match the main frames and sash. Insect screening shall be fiberglass or aluminum wire secured with a vinyl spline. Screens shall be half length.

Finish - Shall be a factory applied baked polyurethane powder coat finish meeting the requirements of AAMA 2604 for Pigmented Organic Coating on Extruded Aluminum. Refer to "Colors and Finishes" chart for examples. Bronze anodizing, clear anodizing and high performance AAMA 2605 finishes are optional.

Operation - The "X" sash is operable on the "Series 527" horizontal single slider window and will slide open for ventilation. The sash rolls on four non-adjustable, bronze roller bearings and is removable from the interior for ease of maintenance. The "Series 527" is available in XO or OX configurations.

IV. PERFORMANCE:

Structural - Shall meet the requirements of AAMA/WDMA/CSA 101/I.S.2/A440-05, HS-C55 specification.

Thermal - Shall meet the requirements of AAMA 1503.1 CRF 51 / 54.

NFRC - Shall meet the requirements of NFRC 100 and 200.

Forced Entry - Shall meet the requirements for ASTM F588 Load Identification Grade 10.

Sound Transmission Class - Shall meet the requirements of ASTM E90. Ratings vary depending upon glazing. See Product Selection Guide for summary.

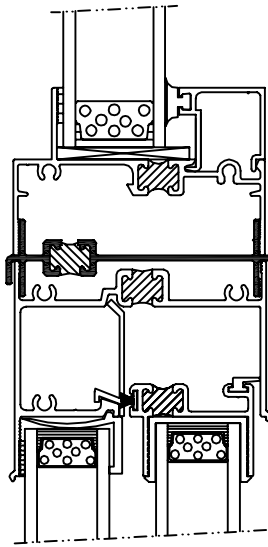
V. INSTALLATION:

Qualifications - Installation shall be performed by skilled, experienced tradesmen. Units shall be installed plumb, level, square and shall be secured in accordance with detailed shop drawings. A non-hardening sealant compatible with aluminum shall be provided by the installer and applied in sufficient quantity to provide a weathertight seal between the window and surrounding construction.

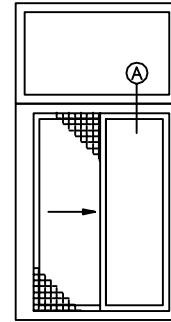
Installation Details - The window manufacturer shall submit complete installation details for the Architects approval. The drawings shall show elevations of windows, full size details of frame and vents, details of construction and anchorage of window.

SERIES 527 2-5/8" HORIZONTAL SLIDING WINDOW (C55)

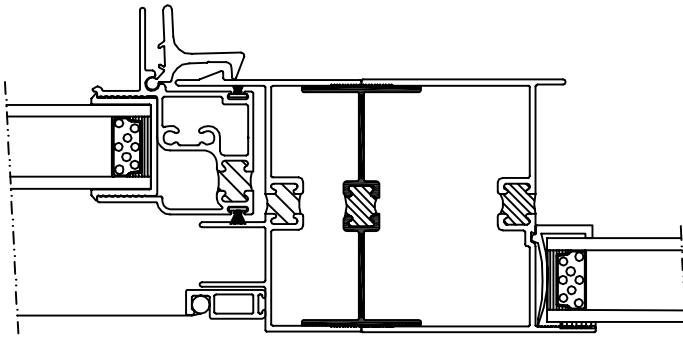
Typical Configurations (Scale: Half Size)



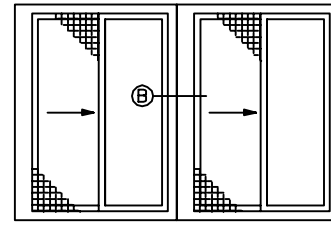
Ⓐ 550-527



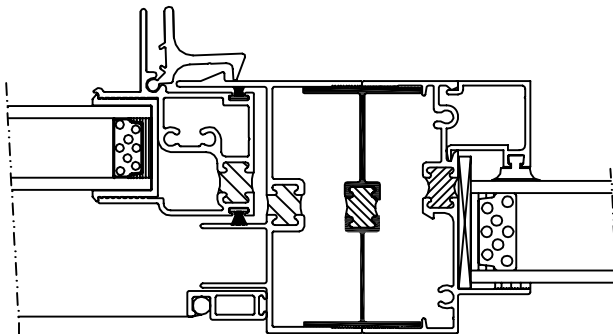
Ⓐ 550-527



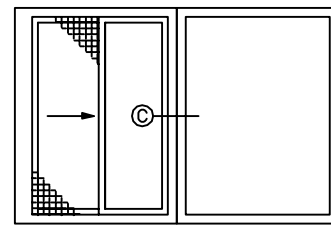
Ⓑ 527-527



Ⓑ 527-527



Ⓒ 527-550

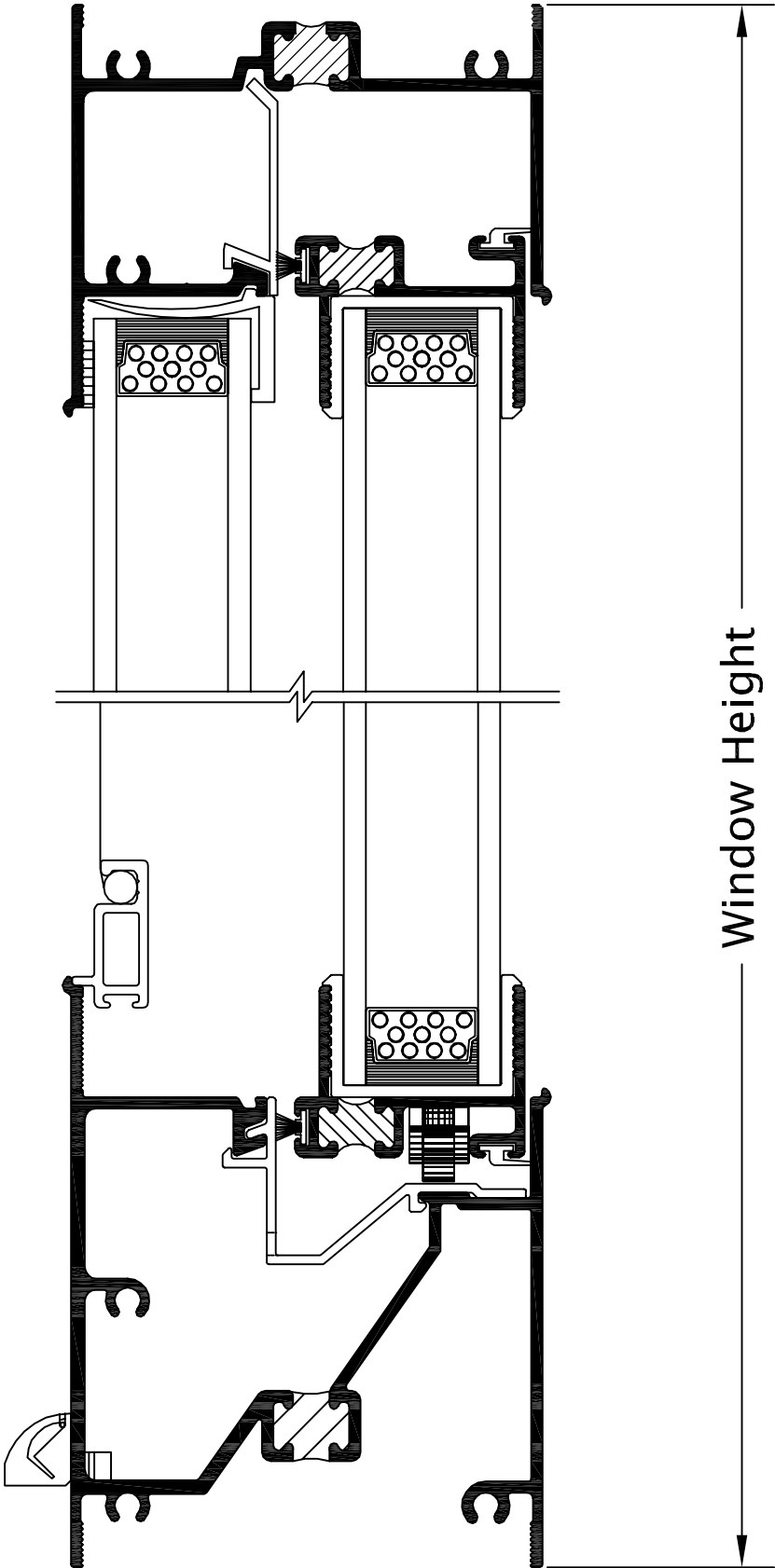
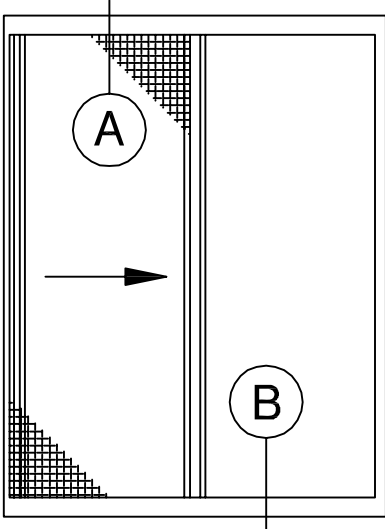


515-550

See Accessories section for additional options

SERIES 527 2-5/8" HORIZONTAL SLIDING WINDOW (C55)

Product Details (Scale: Full Size)



SERIES 527 2-5/8" HORIZONTAL SLIDING WINDOW (C55)

Product Details (Scale: Full Size)

