

SERIES 754 3-1/4" FIXED WINDOW (HC75)

SPECIFICATIONS

I. GENERAL:

Scope of Work - Furnish all necessary materials, labor and equipment for the complete installation of aluminum windows for this project as shown on the drawings and herein specified. Windows shall be the "Series 754" as manufactured by Thermal Windows, Inc., Tulsa, Oklahoma. The "Series 754" is a fixed window with thermally improved frame. The specifications and materials for the "Series 754" are as follows:

II. PRODUCTS:

Materials - Aluminum shall be of proper alloy for commercial window construction. All extruded sections shall be of 6063-T5 aluminum alloy.

Frame - Main frame members shall be a nominal thickness as required by ANSI/AAMA 101. Main frame shall be 3.250" in depth. Main frames are to be extruded aluminum with a structural thermal barrier of high density low thermal conductivity polyurethane, poured and debridged.

III. CONSTRUCTION:

Assembly - Main frame shall be a mechanically joined construction. Corner joints should be "seam sealed" with a quality grade of sealant meeting the requirements of AAMA 803.3. All screws at joints of main frame shall be secured into integral screw ports.

Glazing - Glass shall be inside glazed with a butyl glazing tape and snap in extruded aluminum glazing bead containing a vinyl insert. The insulated glass units shall be 1" overall thickness with two panes of double strength glass, separated by a .750" air space for optimum insulation. All insulated glass units shall meet the requirements of the ASTM E 774 specification, Class "A".

Finish - Shall be a factory applied baked polyurethane powder coat finish meeting the requirements of AAMA 2603 for Pigmented Organic Coating on Extruded Aluminum. Refer to "Colors and Finishes" chart for examples. Bronze anodizing, clear anodizing and high performance AAMA 2605 finishes are optional.

IV. PERFORMANCE:

Structural - Shall meet the requirements of ANSI/AAMA 101-I.S. 2-97, F-HC75 specification.

NFRC - Shall meet the requirements of NFRC 100-97 and 200.

Sound Transmission Class - Shall meet the requirements of ASTM E90. Ratings vary depending upon glazing. See Product Selection Guide for summary.

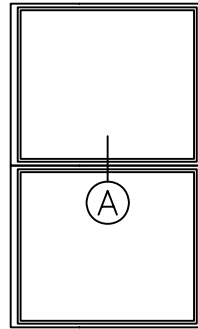
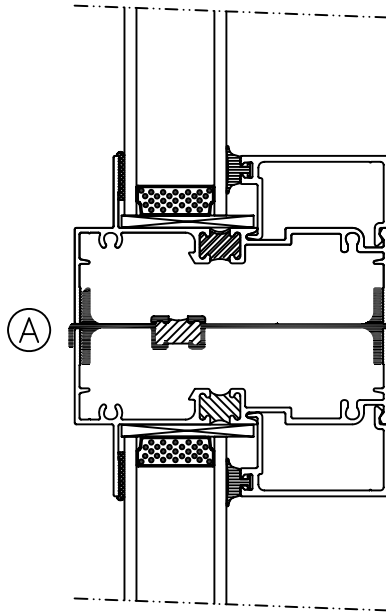
V. INSTALLATION:

Qualifications - Installation shall be performed by skilled, experienced tradesmen. Units shall be installed plumb, level, square and shall be secured in accordance with detailed shop drawings. A non-hardening sealant compatible with aluminum shall be provided by the installer and applied in sufficient quantity to provide a weathertight seal between the window and surrounding construction.

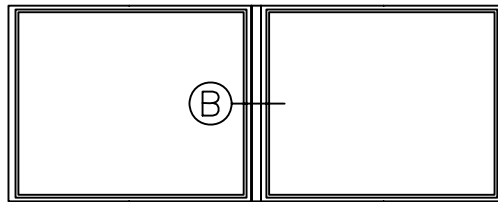
Installation Details - The window manufacturer shall submit complete installation details for the Architects approval. The drawings shall show elevations of windows, full size details of frame and vents, details of construction and anchorage of window.

SERIES 754 3-1/4" FIXED WINDOW (HC75)

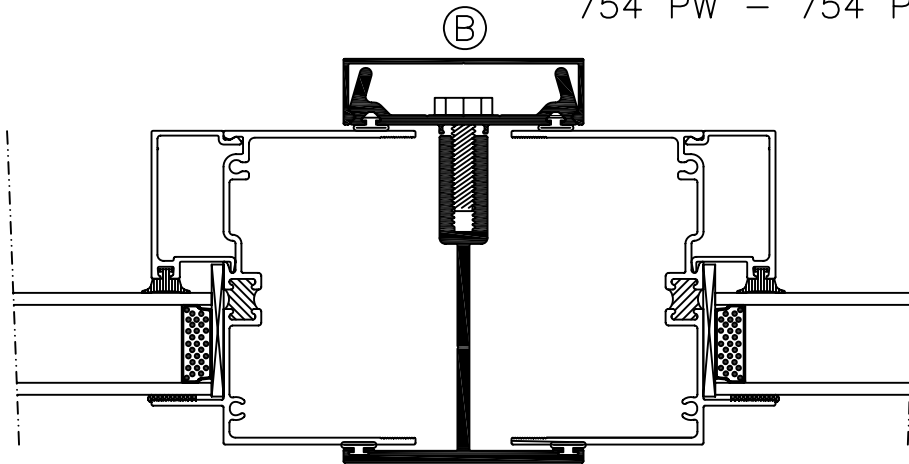
Typical Configurations (Scale: Half size)



754 PW – 754 PW



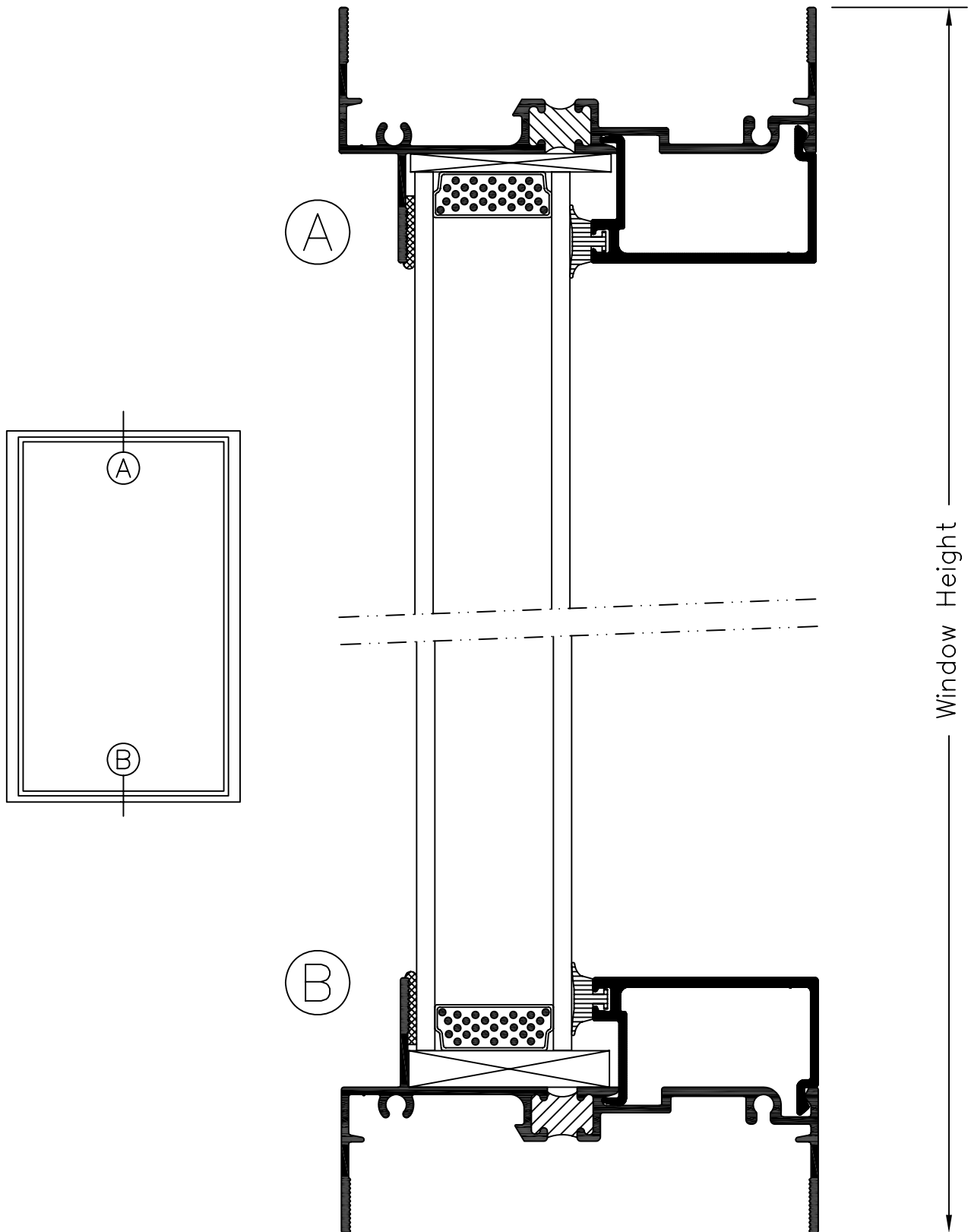
754 PW – 754 PW



See Accessories section for additional options

SERIES 754 3-1/4" FIXED WINDOW (HC75)

Product Details (Scale: Full size)



SERIES 754 3-1/4" FIXED WINDOW (HC75)

Product Details (Scale: Full size)

