

SERIES 925 3-1/4" PROJECTED AWNING WINDOW (CW70)

SPECIFICATIONS

I. GENERAL:

Scope of Work - Furnish all necessary materials, labor and equipment for the complete installation of aluminum windows for this project as shown on the drawings and herein specified. Windows shall be the "Series 925" as manufactured by Thermal Windows, Inc., Tulsa, Oklahoma. The "Series 925" is a single vent project out awning with thermally improved main frame and vent consisting of a roto-operator and side hinge. The specifications and materials for the "Series 925" are as follows:

II. PRODUCTS:

Materials - Aluminum shall be of proper alloy for commercial window construction. All extruded sections shall be of 6063-T5 aluminum alloy.

Frame - Main frame and sash members shall be a .062" nominal thickness. Main frame shall be 3.25" in depth. Horizontal and vertical vent members shall be hollow extrusions. Main frames and vent members are to be extruded aluminum with a structural thermal barrier of high density low thermal conductivity polyurethane, poured and debridged.

Hardware - Lock shall consist of two face-mounted cam locking assemblies. Window operator mechanism shall be the Roto Gear Awning Operator by Truth. Operator will be of scissor arm design driven by hand crank and constructed of Corrosion Gard components, hardened steel worm gear arms and high pressure zinc alloy die castings. Handle shall have the fold-down feature.

Hinges - Shall consist of two stainless steel, four bar type design, utilizing a screw adjusted slide shoe. Hinges shall be constructed of high quality stamped and roll formed materials. Hinges used must be certified to AAMA 904.1 specifications.

Weatherstripping - Shall have two rows of foam filled soft vinyl bulb weatherstrip at full perimeter of vents.

III. CONSTRUCTION:

Assembly - Main frame shall be a mechanically joined construction. Corner joints should be "seam sealed" with a quality grade of sealant meeting the requirements of AAMA 803.3. The vent shall be assembled with four screws at each corner. All screws at joints of vent and main frame shall be secured into integral screw ports.

Glazing - Glass in the operable vent shall be factory glazed with a marine (wrap around) reusable vinyl glazing channel. The insulated glass units shall be .875" overall thickness with two panes of double strength glass, separated by a .625" air space for optimum insulation. All insulated glass units shall meet the requirements of the ASTM E 2190 specification, Class "A".

Screens - Screen frame shall be of hollow extruded aluminum frames. Finish shall match the main frames and sash. Insect screening shall be fiberglass or aluminum wire secured with a vinyl spline. Each screen shall be fastened by dimple clips.

Finish - Shall be a factory applied baked polyurethane powder coat finish meeting the requirements of AAMA 2604 for Pigmented Organic Coating on Extruded Aluminum. Refer to "Colors and Finishes" chart for examples. Bronze anodizing, clear anodizing and high performance AAMA 2605 finishes are optional.

Operation - The vent is operable on the "Series 925" awning window and will project out for ventilation.

IV. PERFORMANCE

Structural - Shall meet the requirements of AAMA/WDMA/CSA 101/I.S.2/A440-08, AP-CW70 specification.

NFRC - Shall meet the requirements of NFRC 100 and 200.

Sound Transmission Class - Shall meet the requirements of ASTM E90. Ratings vary depending upon glazing. See Product Selection Guide for summary.

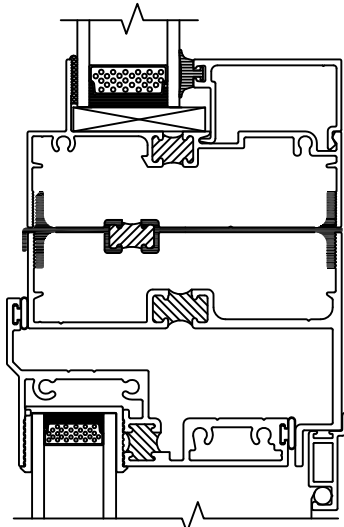
V. INSTALLATION:

Qualifications - Installation shall be performed by skilled, experienced tradesmen. Units shall be installed plumb, level, square and shall be secured in accordance with detailed shop drawings. A non-hardening sealant compatible with aluminum shall be provided by the installer and applied in sufficient quantity to provide a weathertight seal between the window and surrounding construction.

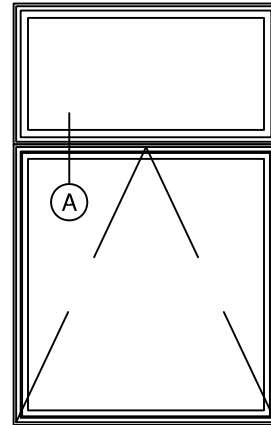
Installation Details - The window manufacturer shall submit complete installation details for the Architects approval. The drawings shall show elevations of windows, full size details of frame and vents, details of construction and anchorage of window.

SERIES 925 3-1/4" PROJECTED AWNING WINDOW (CW70)

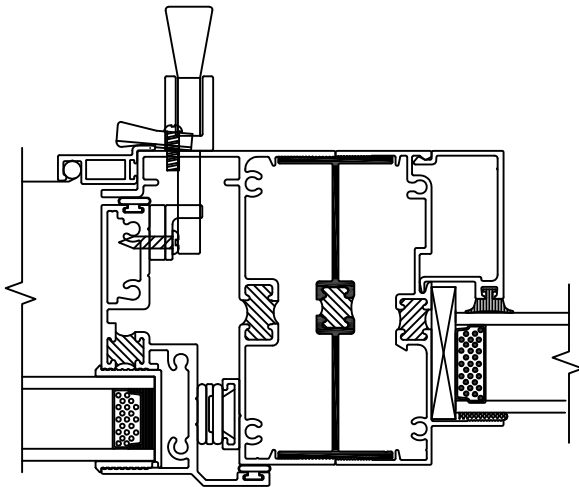
Typical Configurations (Scale: Half Size)



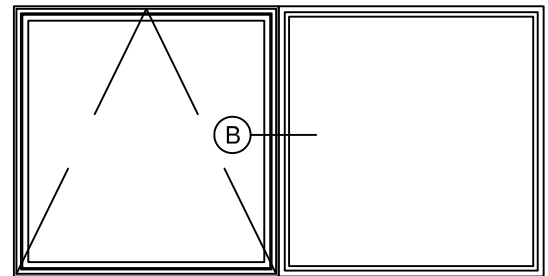
Ⓐ 925 CASEMENT - 750 PW



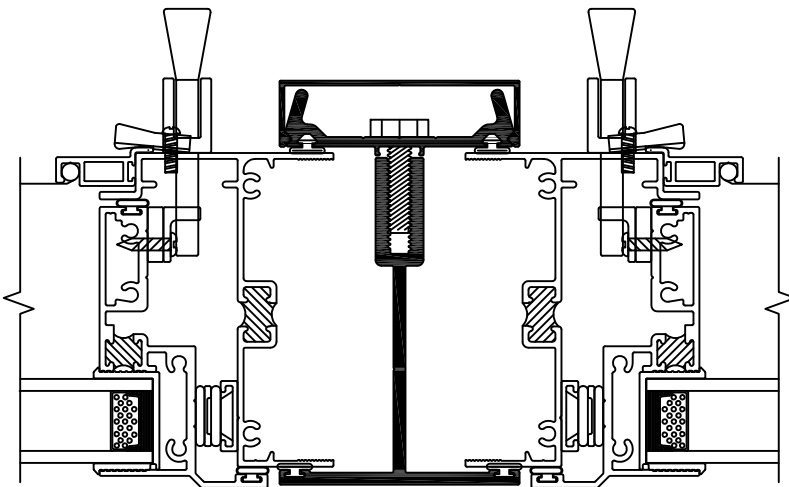
925 PROJECTED - 750 PW



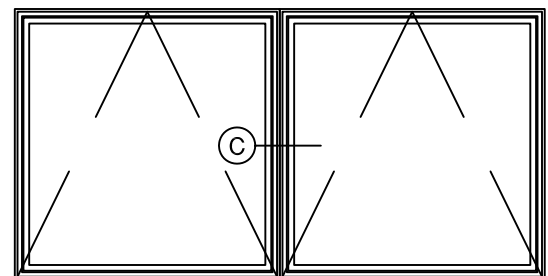
Ⓑ 925 PROJECTED - 750 PW



925 PROJECTED - 750 PW



Ⓒ 925 PROJECTED - 925 PROJECTED

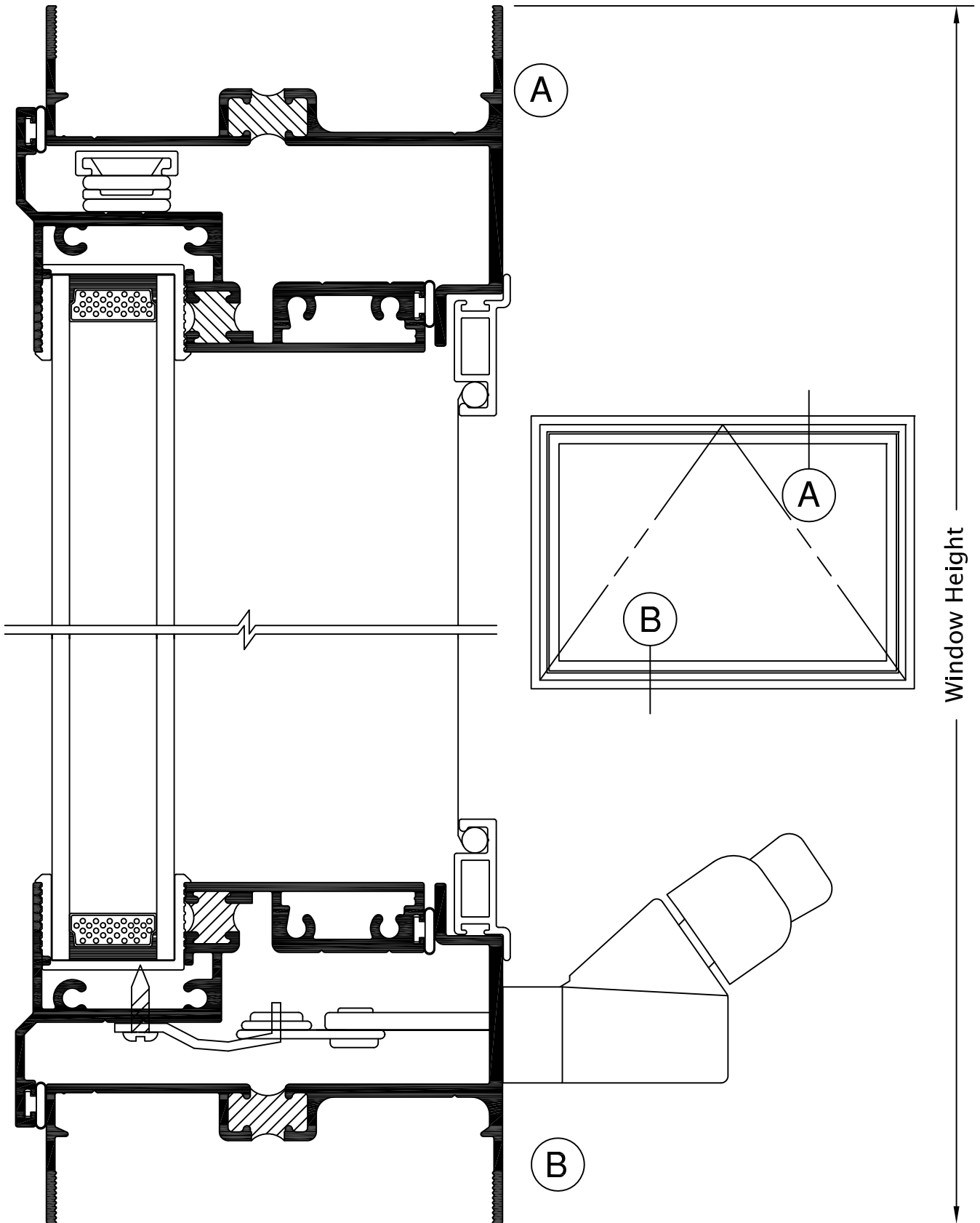


925 PROJECTED - 925 PROJECTED

See Accessories section for additional options

SERIES 925 3-1/4" PROJECTED AWNING WINDOW (CW70)

Product Details (Scale: Full Size)



SERIES 925 3-1/4" PROJECTED AWNING WINDOW (CW70)

Product Details (Scale: Full Size)

