

SERIES 9950 4-3/8" SLIDING GLASS DOOR (CW45)

SPECIFICATIONS

I. GENERAL:

Scope of Work - Furnish all necessary materials as herein specified. Door shall be the "Series 9950" as manufactured by Thermal Windows, Inc., Tulsa, Oklahoma. The "Series 9950" is a sliding glass door with a thermally improved frame and panel consisting of an operable, removable, sliding panel and fixed side lite(s). The specifications and materials for the "Series 9950" are as follows:

II. PRODUCTS:

Materials - Aluminum shall be of proper alloy for commercial construction. All extruded sections shall be of 6063-T5 aluminum alloy.

Frame - Main frame and panel members shall be a nominal thickness as required by ANSI/AAMA 101. Main frame shall be 4.375" in depth. Main frames and panel members are to be extruded aluminum with a structural thermal barrier of high density low thermal conductivity polyurethane, poured and debridged.

Hardware - Pull & latch set shall be sturdy & reversible for installation on either side of door, designed not to damage latch if moving panel is closed with latch in locking position. Moving panel shall roll on adjustable, lubricated ball bearing tandem rollers.

Weatherstripping - Shall be polypile with mylar fins conforming to AAMA 701.2, Specification for Pile Weatherstrip.

III. CONSTRUCTION:

Assembly - Main frame shall be a mechanically joined construction. Corner joints should be "seam sealed" with a quality grade of sealant meeting the requirements of AAMA 803.3. The sashes shall be assembled with two screws at each corner. All screws at joints of panel and main frame shall be secured into integral screw ports.

Glazing - Glass shall be factory glazed with backbedding compound at the exterior and a snap in glazing bead at the interior. The insulated glass units shall be 1" overall thickness. All insulated glass units shall meet the requirements of the ASTM E 2190 specification, Class "A".

Screens - (Optional) Sliding screen shall be of hollow extruded aluminum frames. Finish shall match the main frame and panel. Insect screening shall be fiberglass or aluminum wire secured with a vinyl spline.

Finish - Shall be a factory applied baked polyurethane powder coat finish meeting the requirements of AAMA 2604 for Pigmented Organic Coating on Extruded Aluminum. Refer to "Colors and Finishes" chart for examples. Bronze anodizing, clear anodizing and high performance AAMA 2605 finishes are optional.

Operation - The "X" panels are operable on the "Series 9950" and will slide open for ventilation.

IV. PERFORMANCE:

Structural - Shall meet the requirements of AAMA/WDMA/CSA 101/I.S.2/A440-08, CW45 specification.

Thermal - Shall meet the requirements of AAMA 1503.1 CRF 56 / 50.

NFRC - Shall meet the requirements of NFRC 100 and 200.

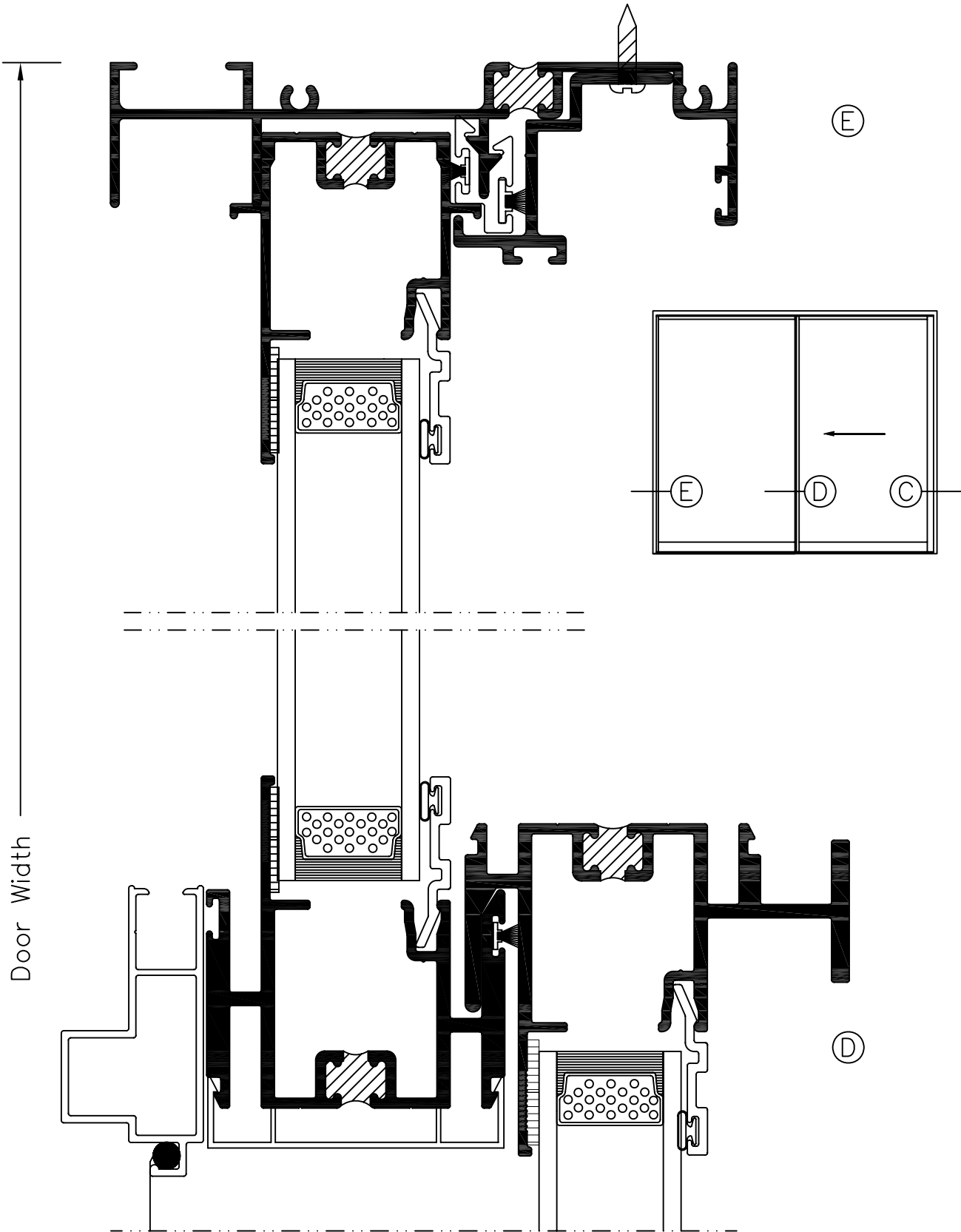
V. INSTALLATION:

Qualifications - Installation shall be performed by skilled, experienced tradesmen. Units shall be installed plumb, level, square and shall be secured in accordance with detailed shop drawings. A non-hardening sealant compatible with aluminum shall be provided by the installer and applied in sufficient quantity to provide a weather tight seal between the door and surrounding construction.

Installation Details - The manufacturer shall submit complete installation details for the Architect's approval. The drawings shall show elevations of sliding glass door, full size details of frame and vent, details of construction and anchorage of door.

SERIES 9950 4-3/8" SLIDING GLASS DOOR (CW45)

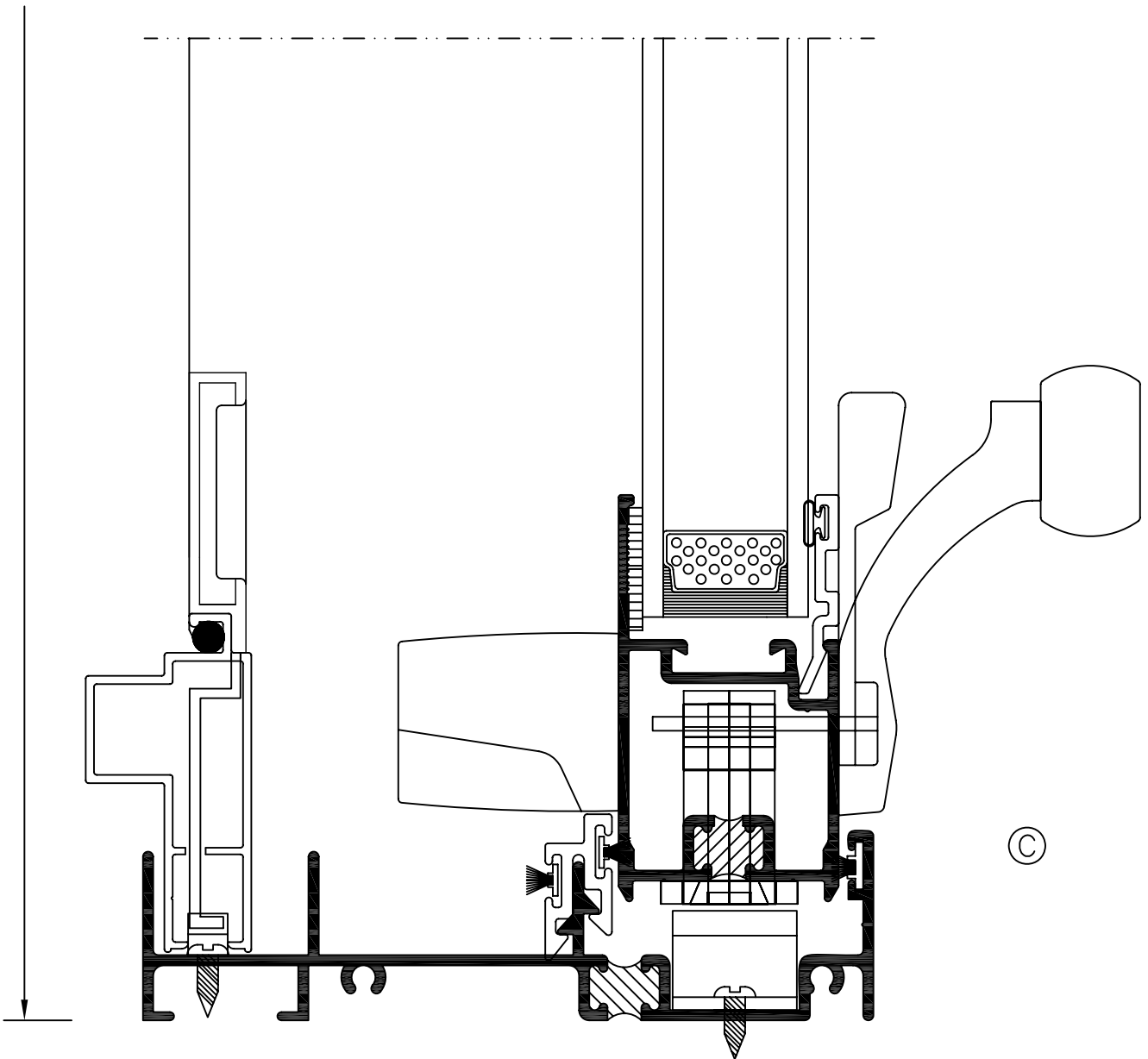
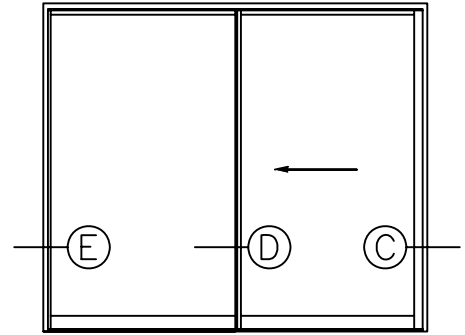
Product Details (Scale: Full Size)



SERIES 9950 4-3/8" SLIDING GLASS DOOR (CW45)

Product Details (Scale: Full Size)

Door Width



SERIES 9950 4-3/8" SLIDING GLASS DOOR (CW45)

Product Details (Scale: Full Size)

