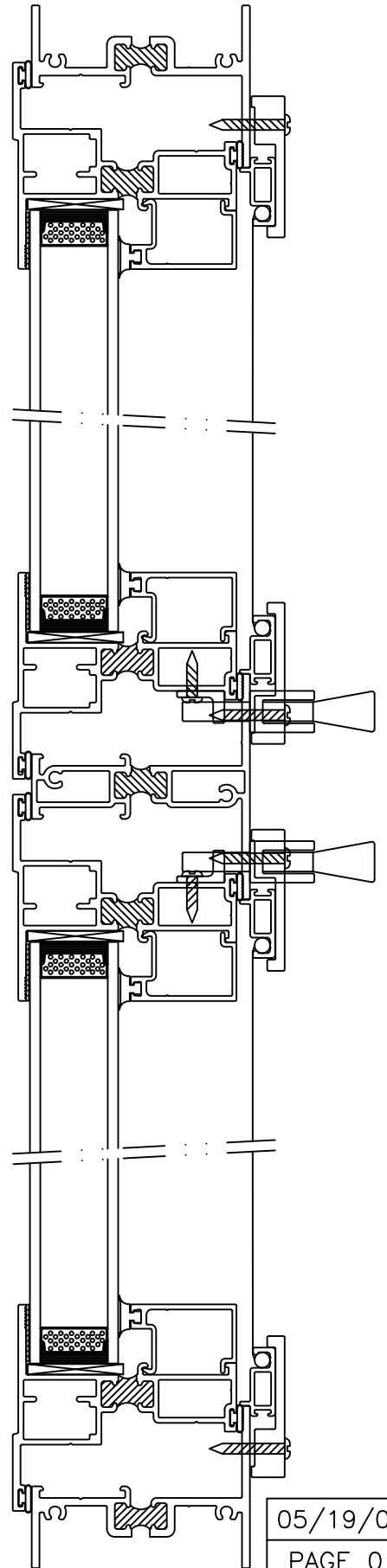
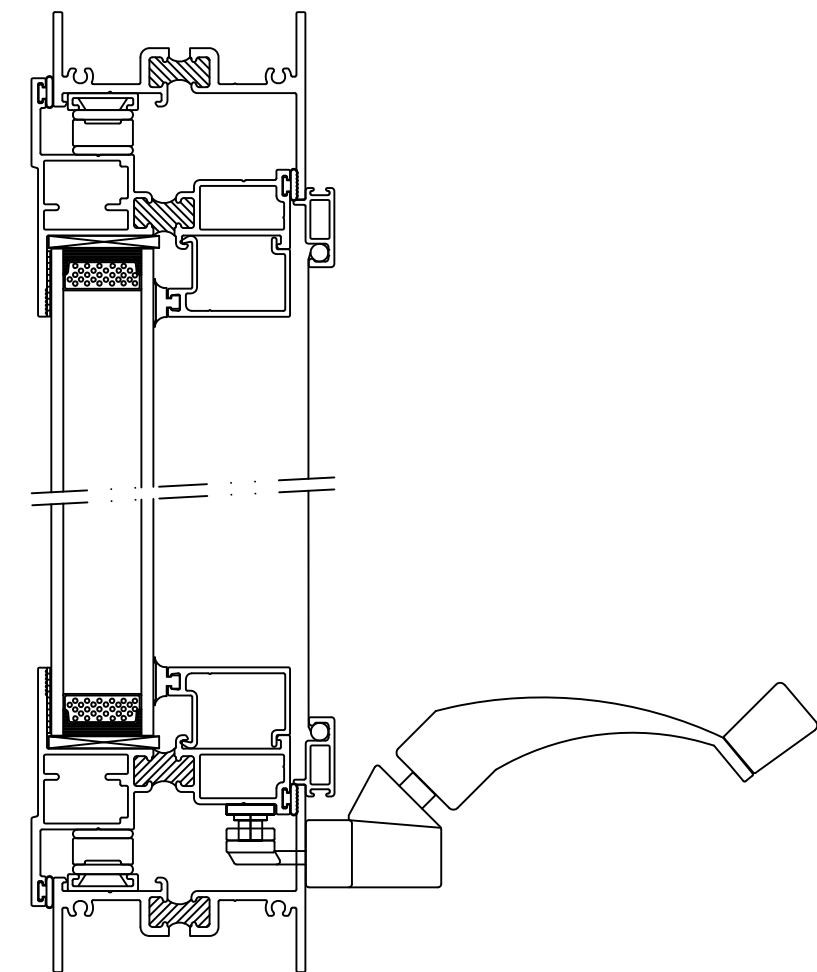


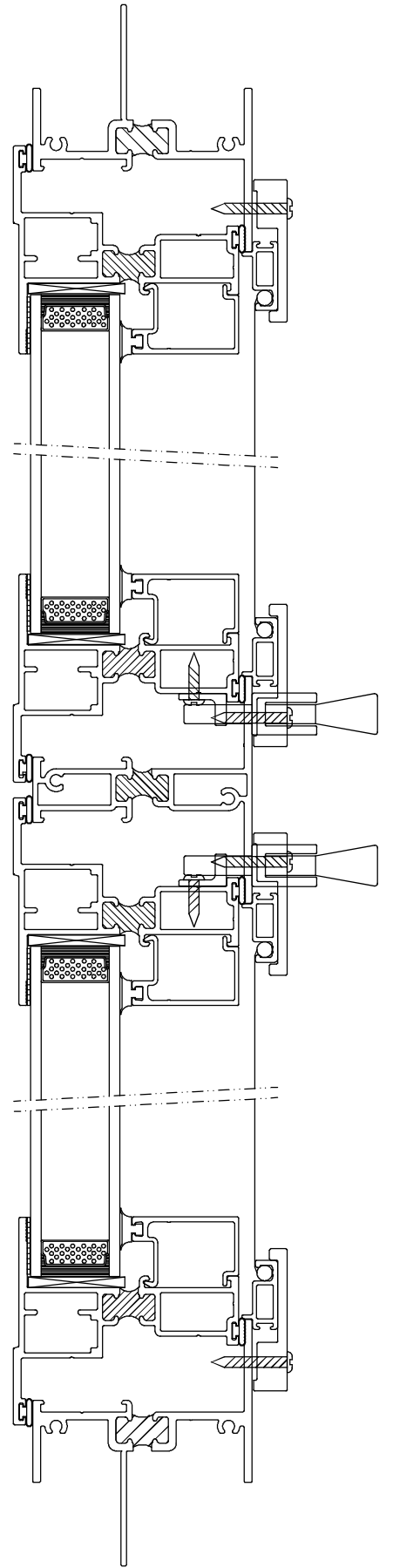
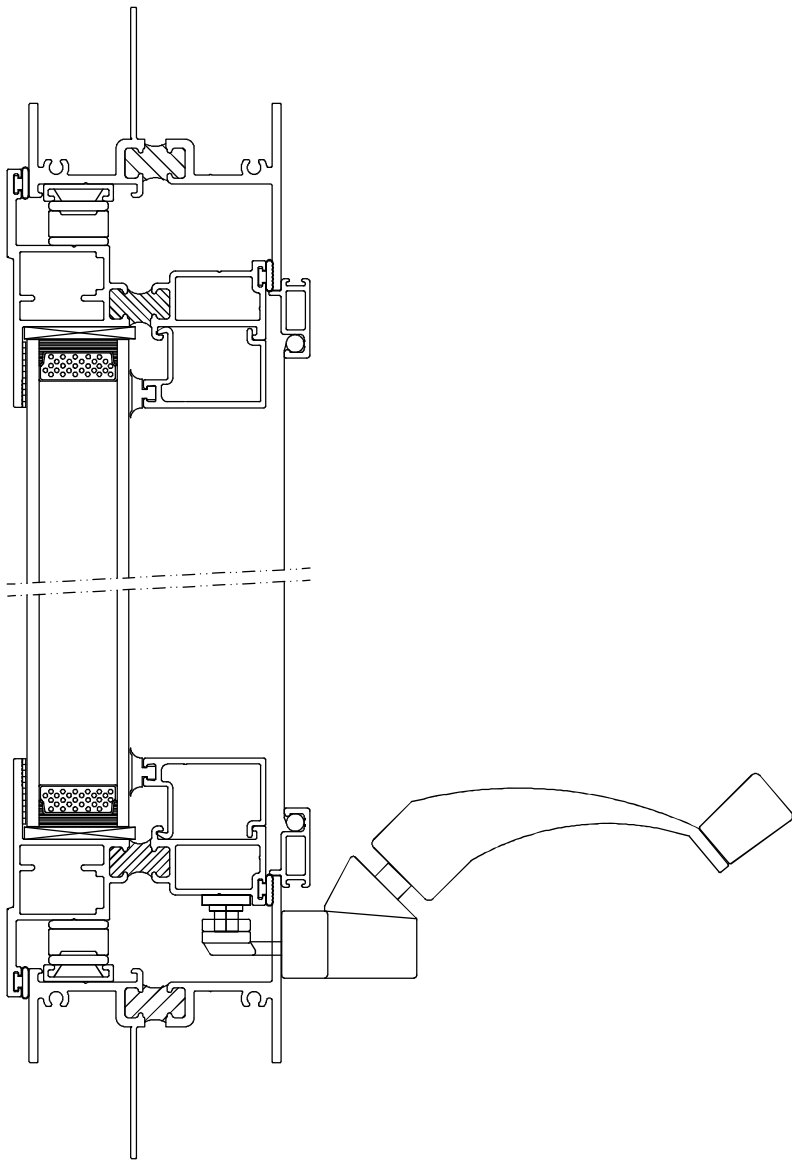
2 5/8"

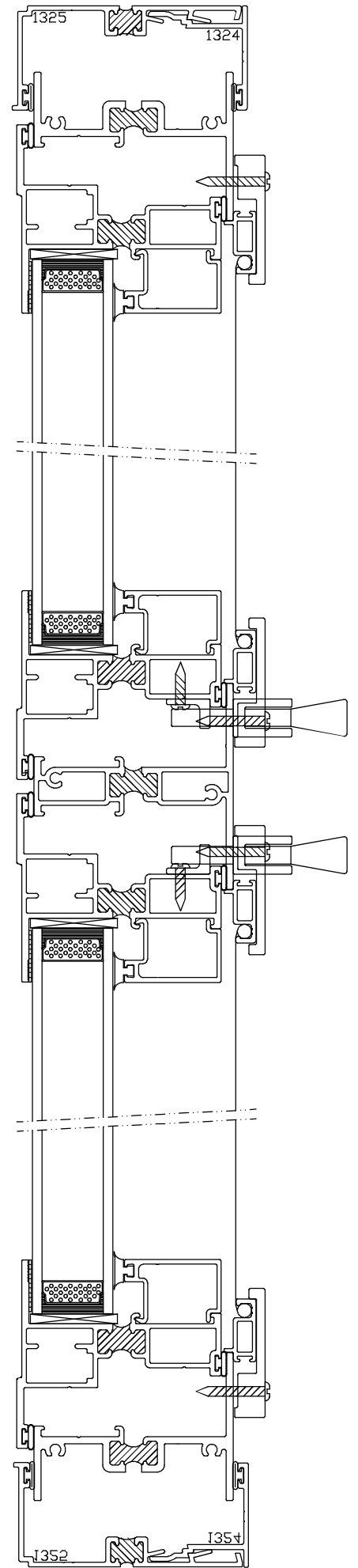
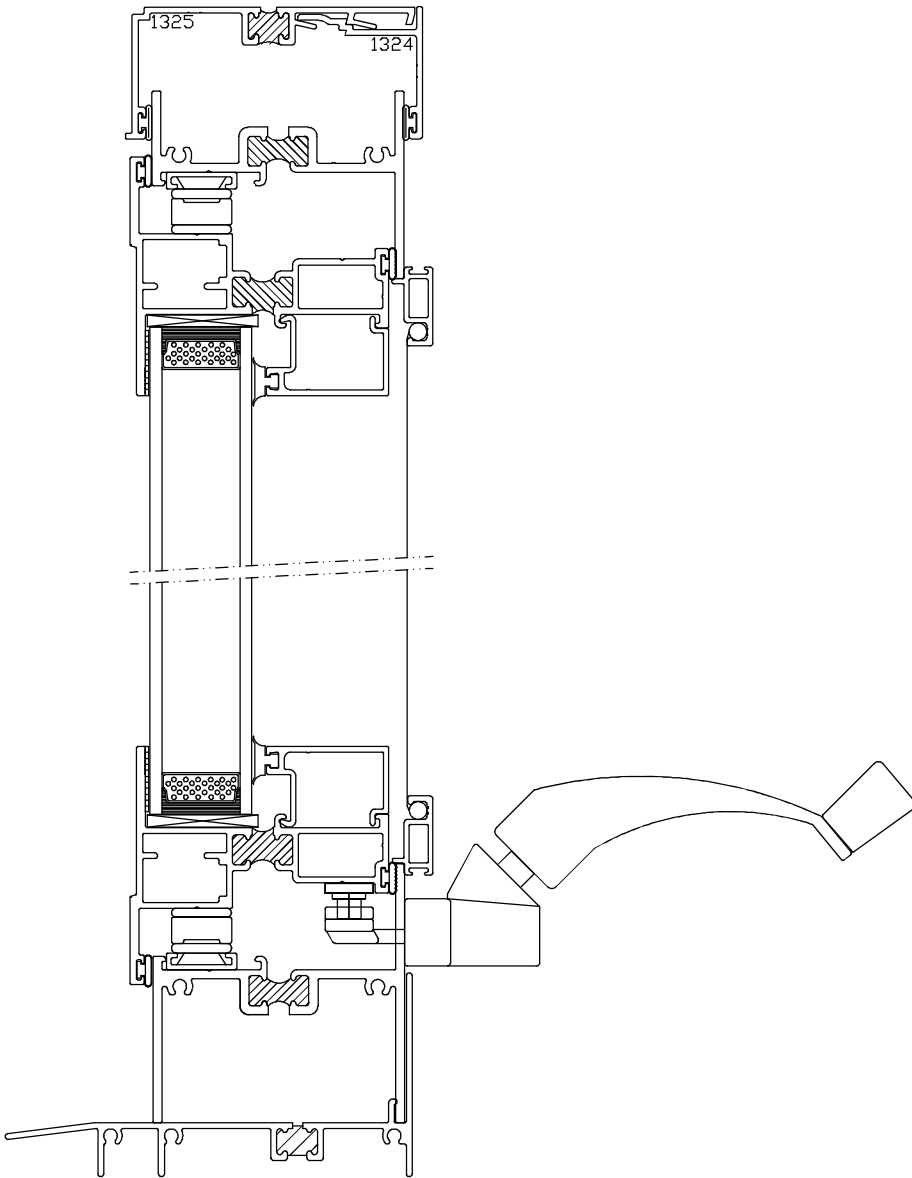


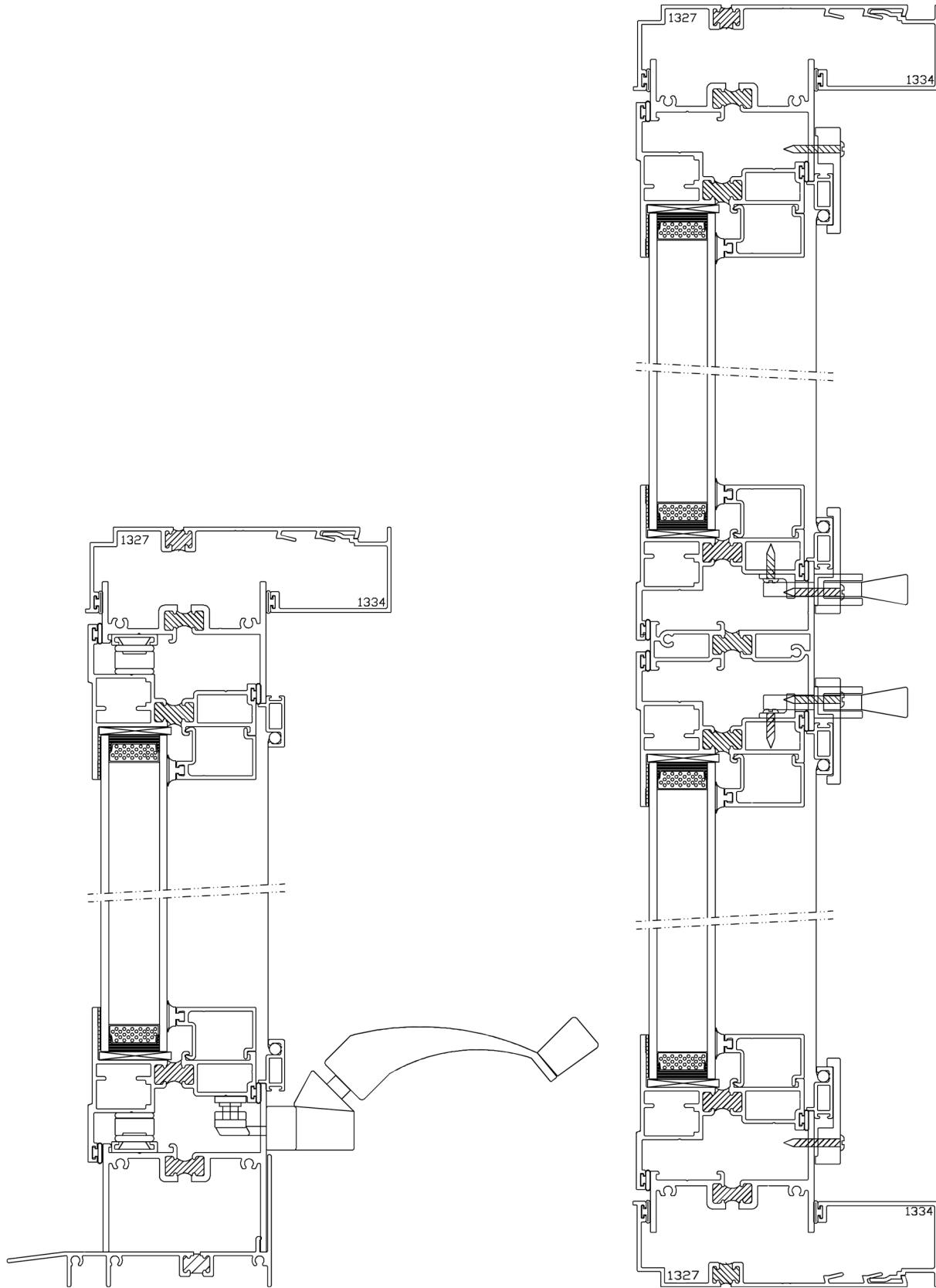
05/19/08  
PAGE 01

# SERIES "810"  
SCALE: 1/2"=1"









09/25/09

PAGE 01

# SERIES "810"  
SCALE: 1/2"=1"



THERMAL  
WINDOWS, INC.

