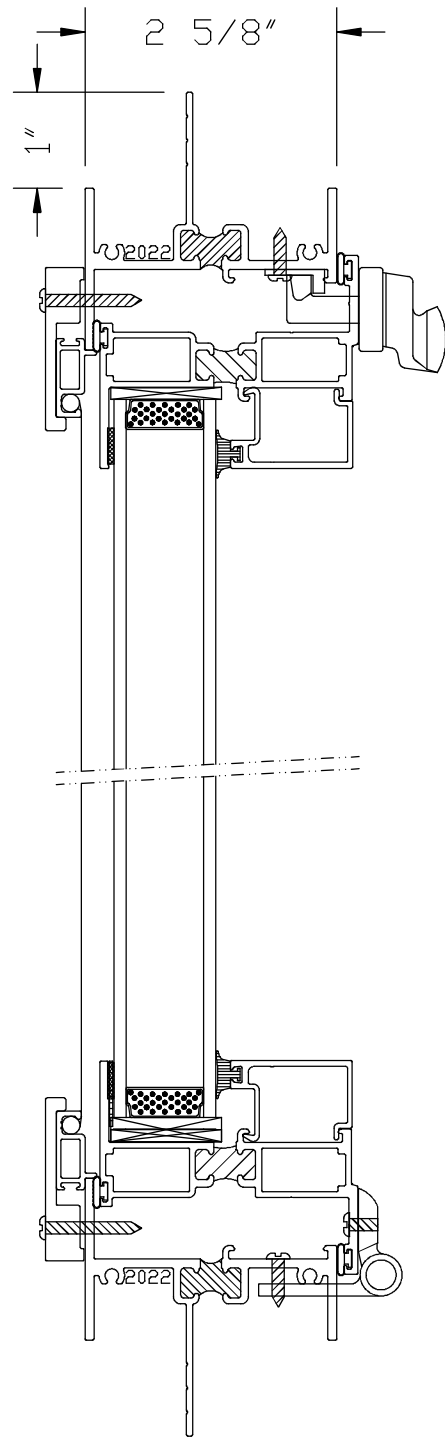
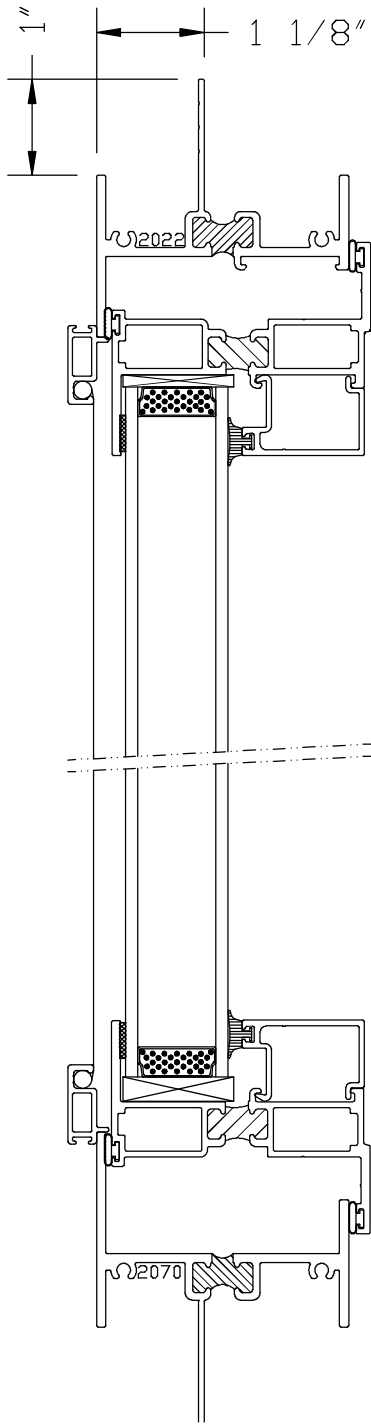
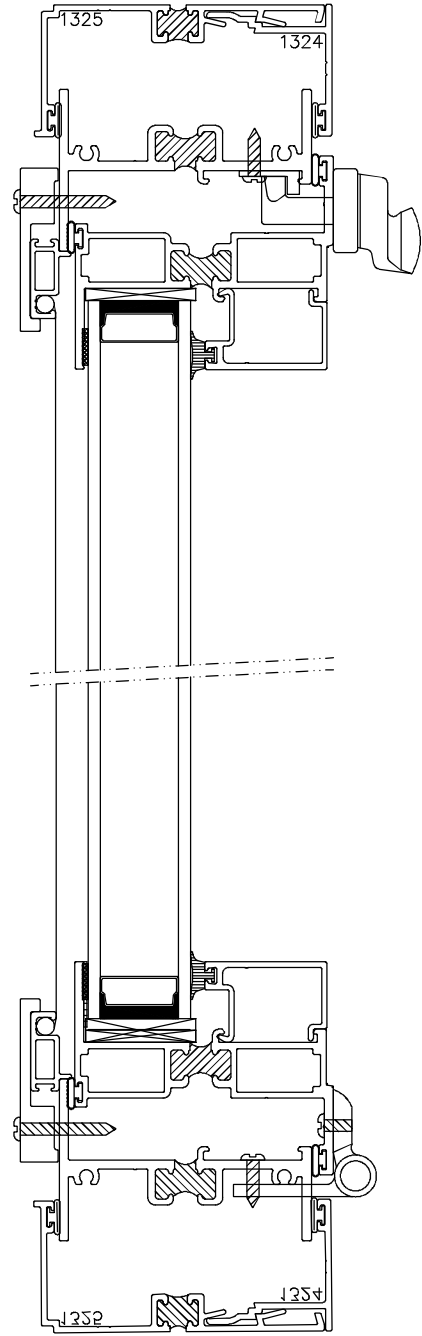
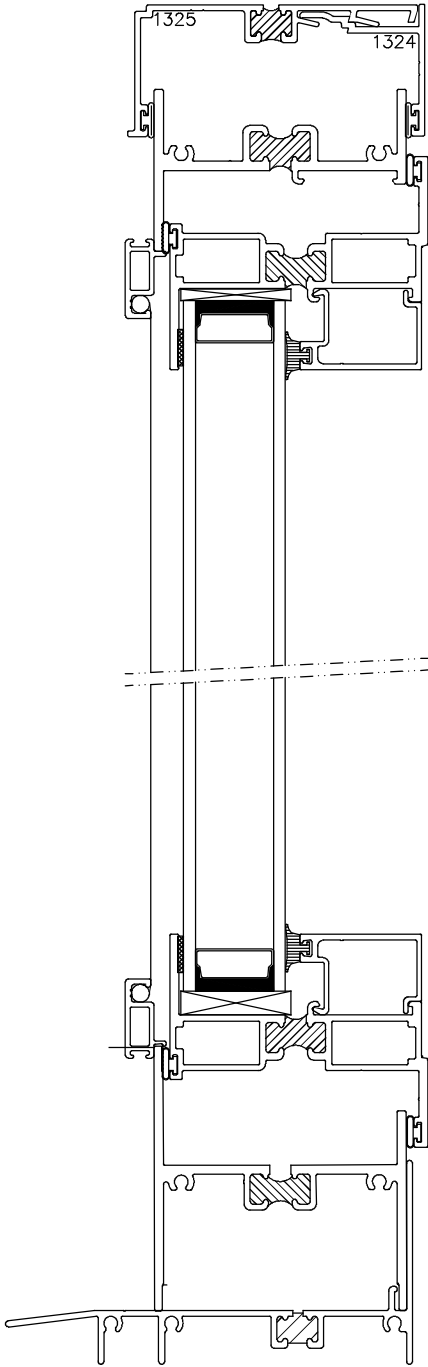


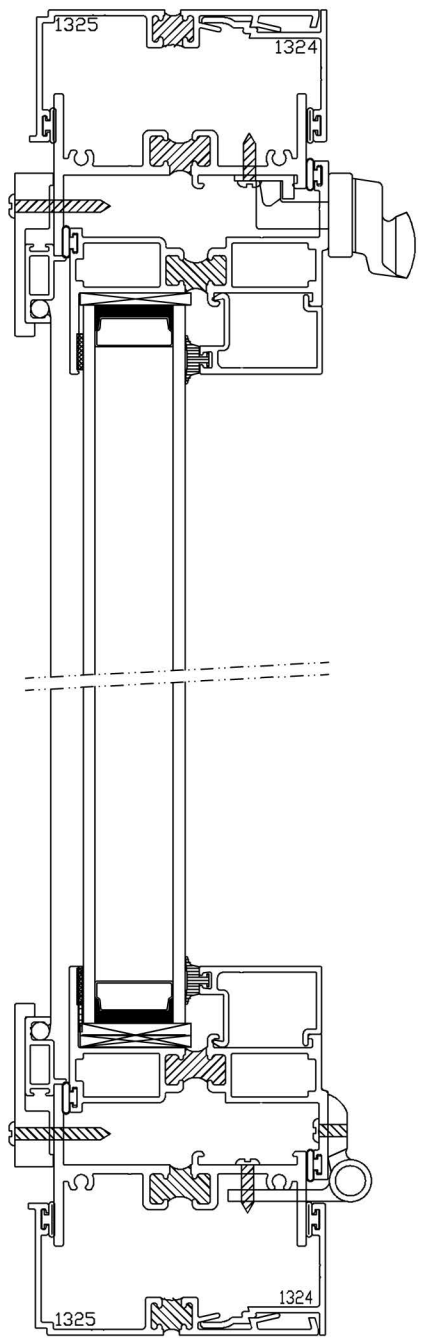
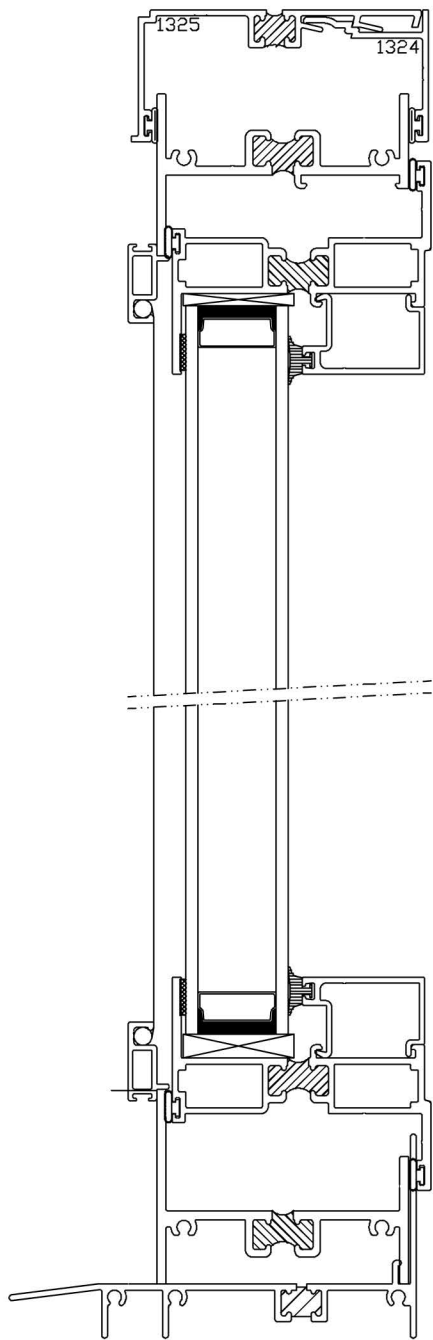
Project In Side
SERIES "820"
SCALE: 1/2"=1"

08/07/08
PAGE 01









08/07/08
PAGE 01

SERIES "820" Project In

SCALE: 1/2"=1"



THERMAL
WINDOWS, INC.

