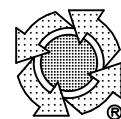


02/18/08

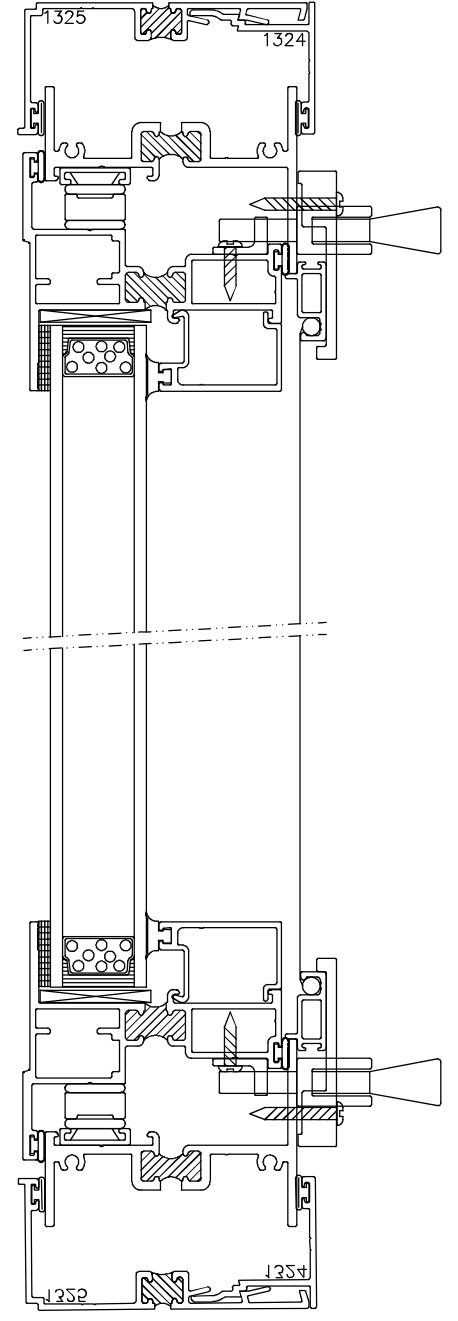
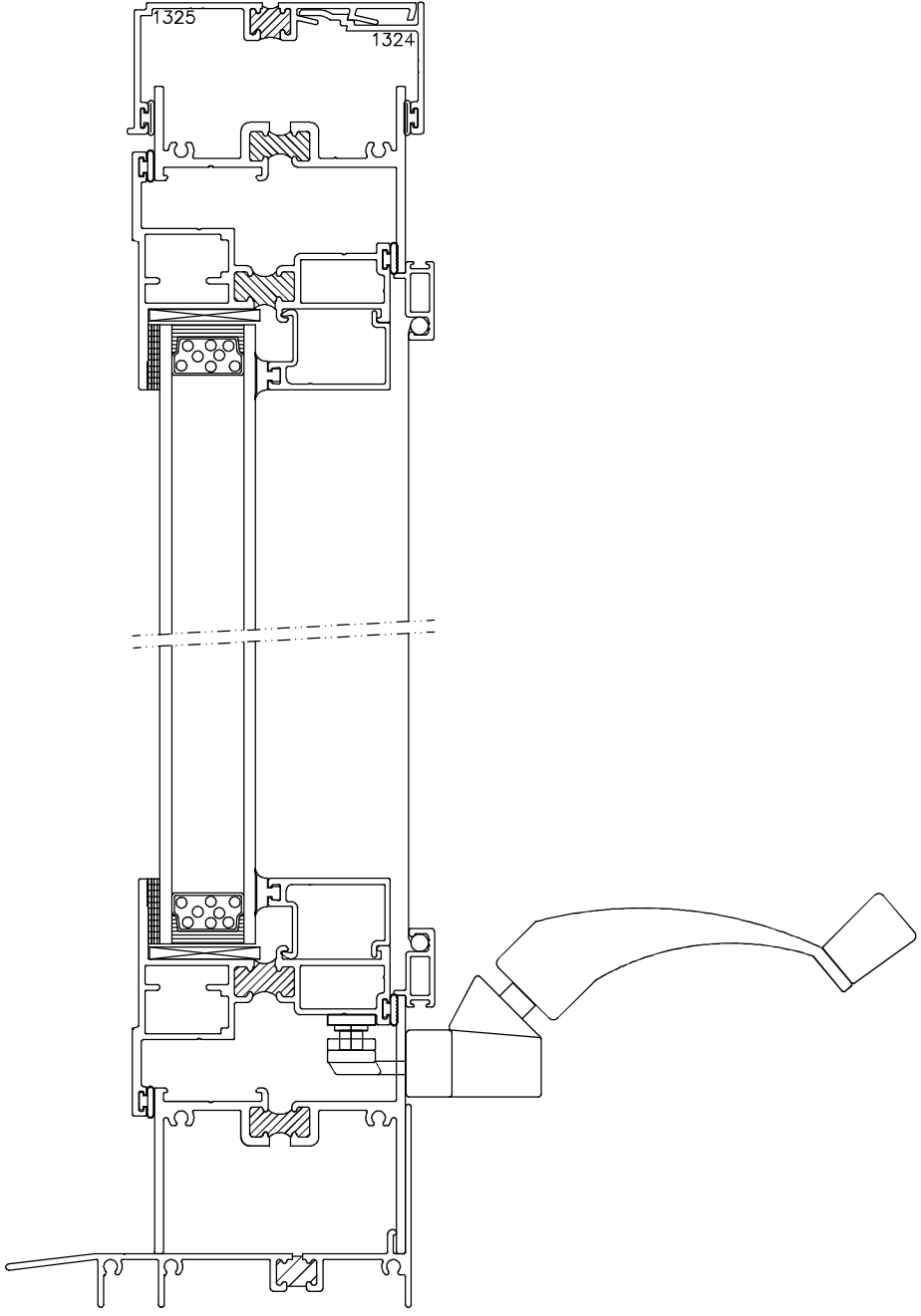
PAGE 01

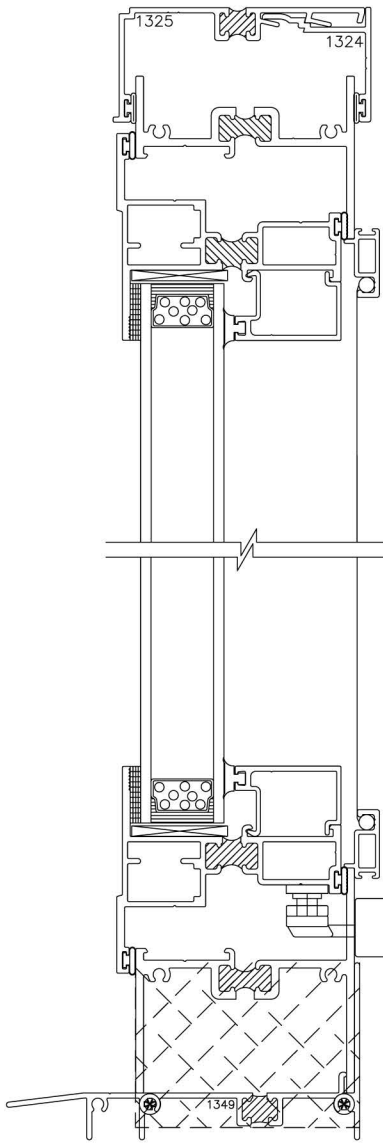
SERIES "825" W/FIN

SCALE: 1/2"=1"

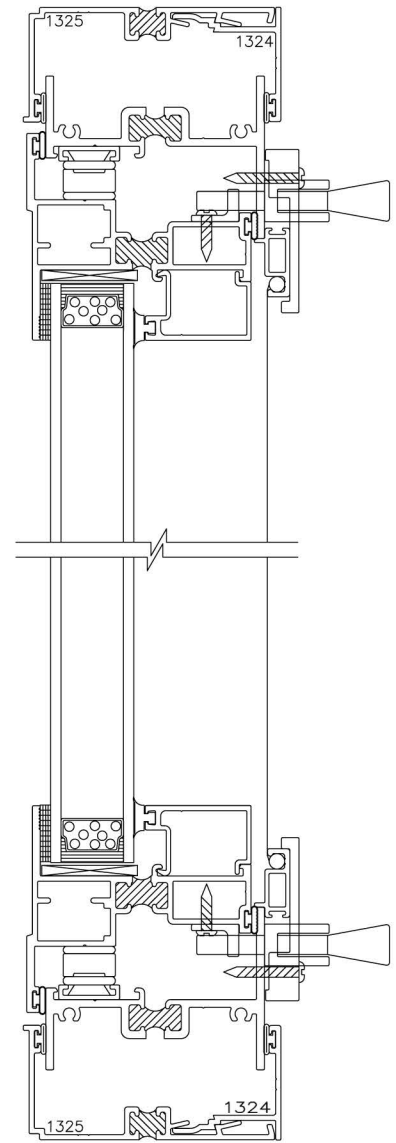


THERMAL
WINDOWS, INC.





SILL & HEAD



JAMBS

w/ RECEPTOR AND SUBSILL

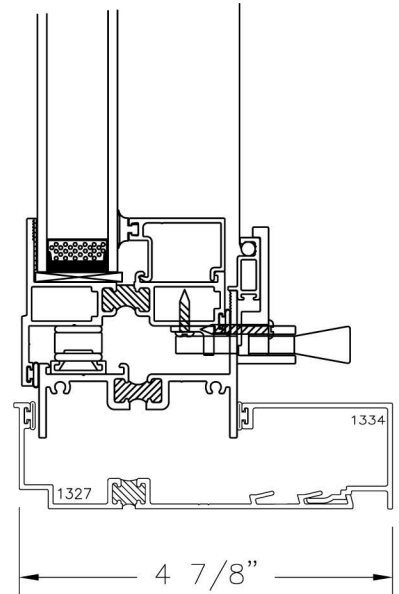
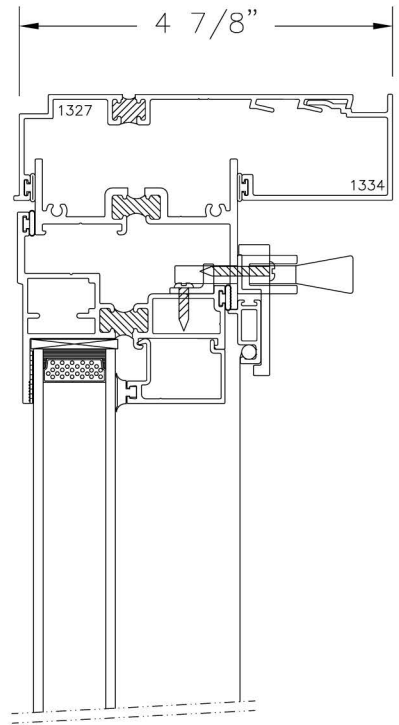
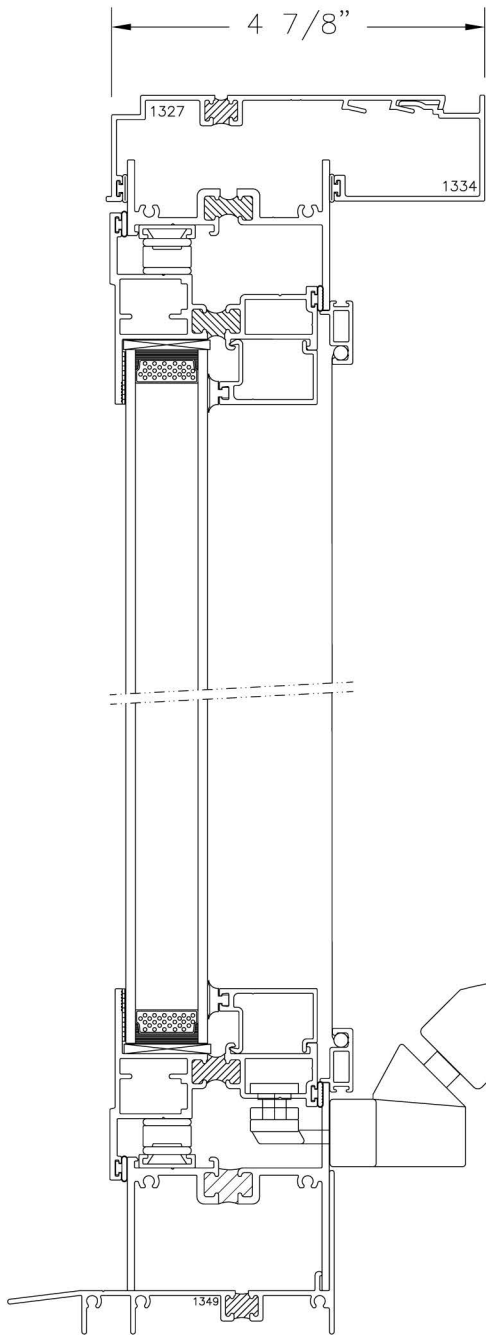
SERIES "825"
SCALE: 1/2"=1"

05/19/08

PAGE 01



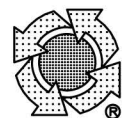
THERMAL
WINDOWS, INC.



09/25/09

PAGE 01

SERIES "825"
SCALE: 1/2"=1"



THERMAL
WINDOWS, INC.