

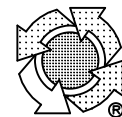
C70

# SERIES "900"

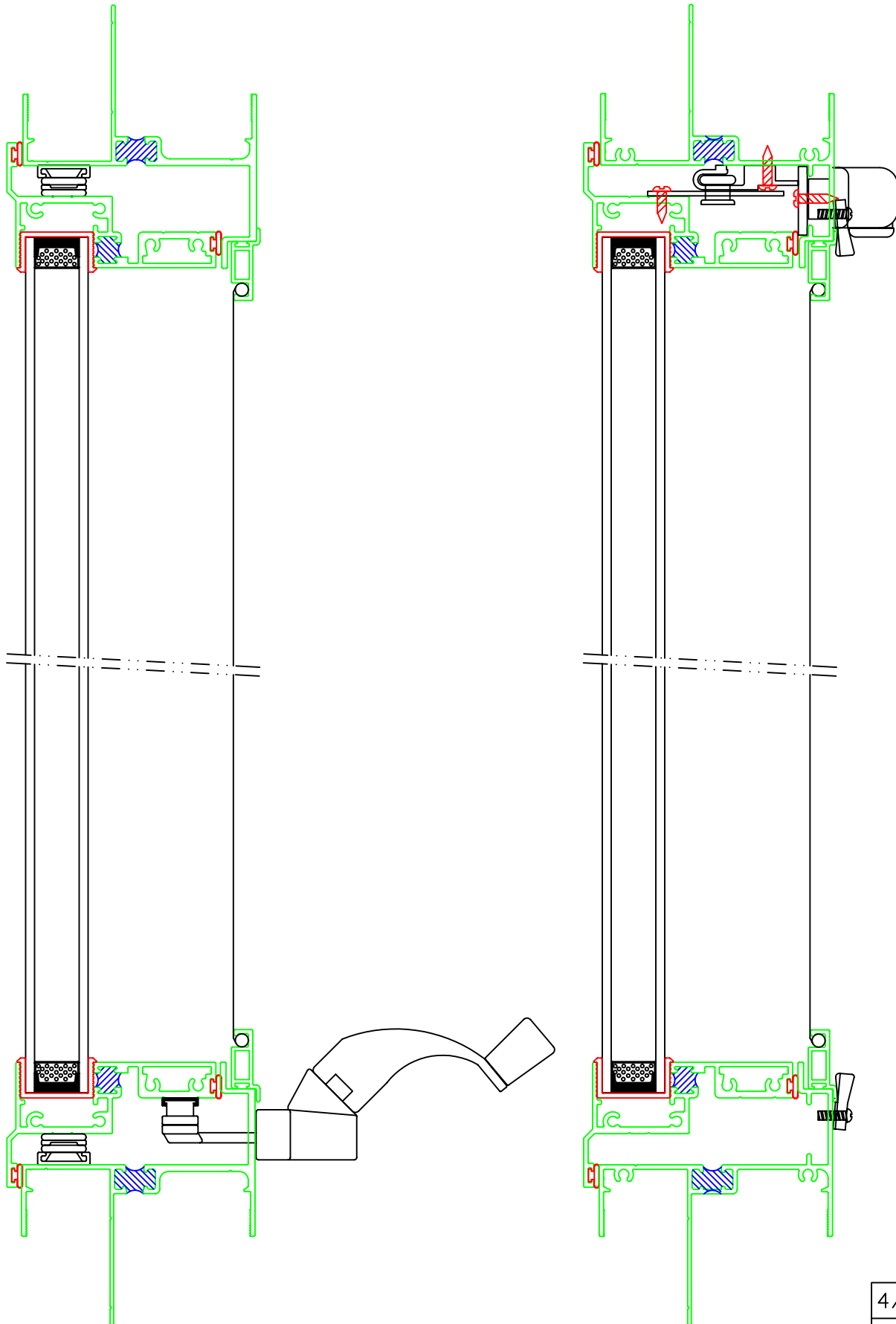
SCALE: 1/2"=1"

4/12/2007

PAGE 01



THERMAL  
WINDOWS, INC.



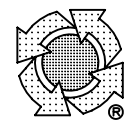
4/12/2007

PAGE 01

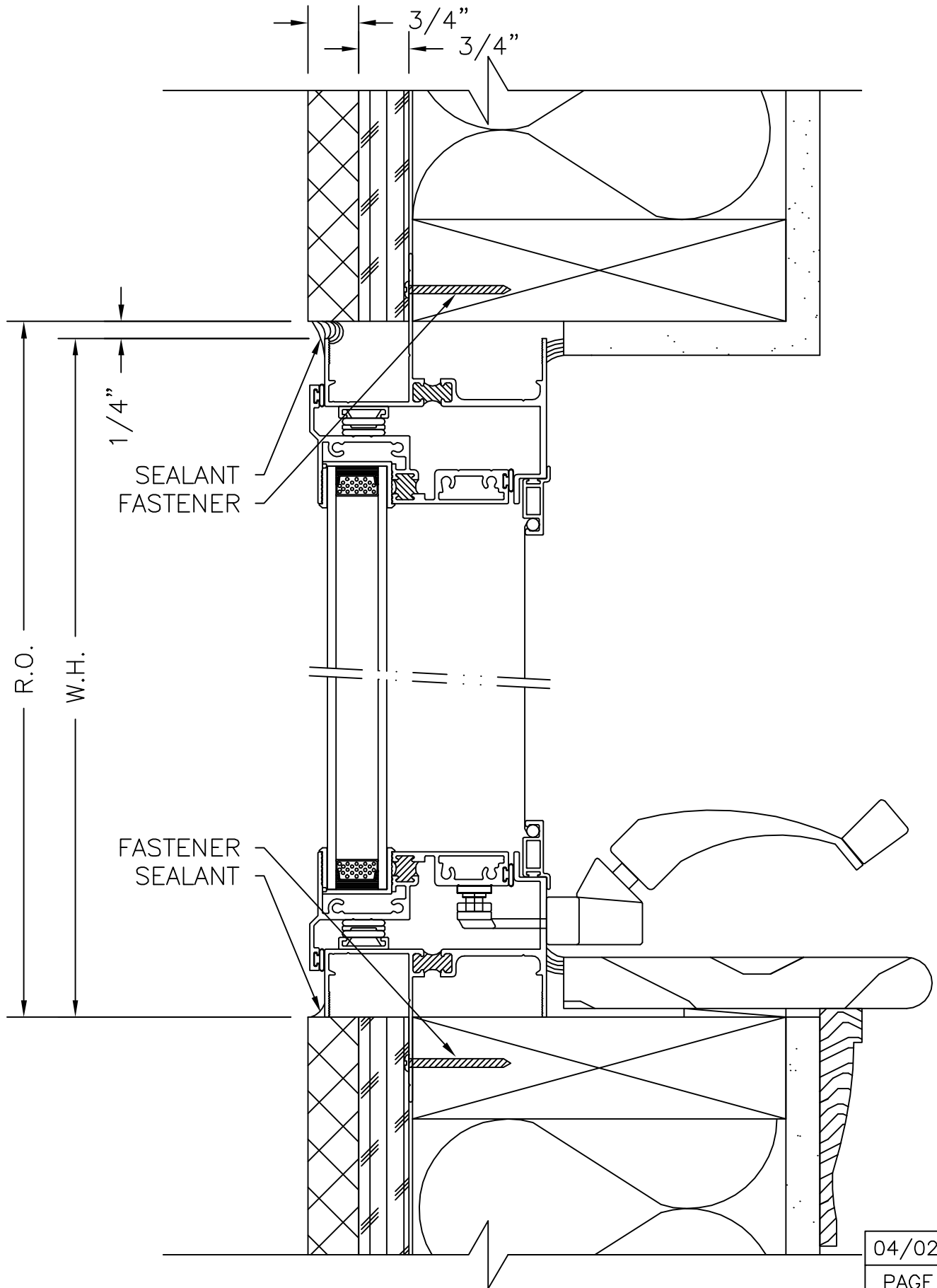
C70

SERIES "900"

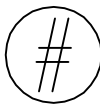
SCALE: 1/2"=1"



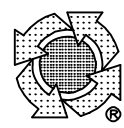
THERMAL  
WINDOWS, INC.



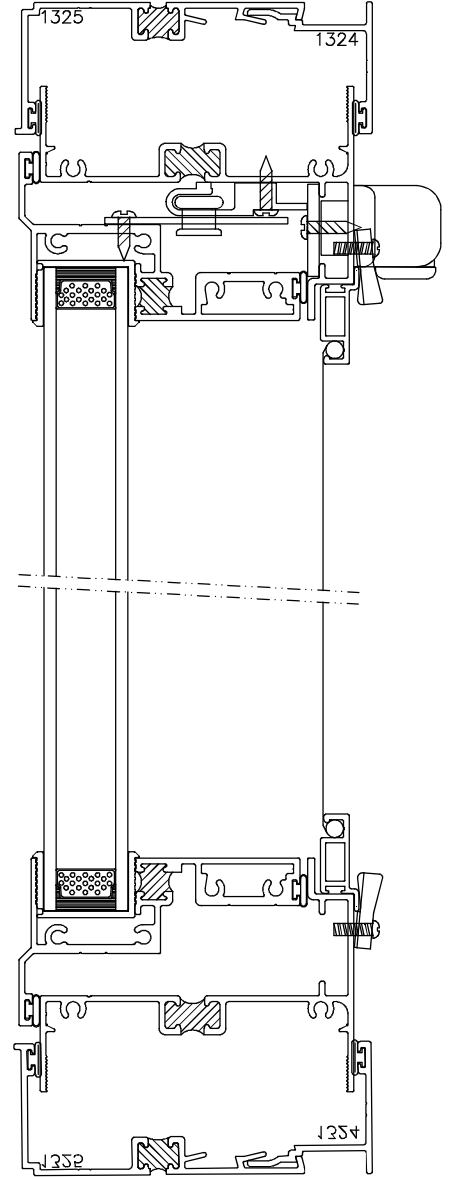
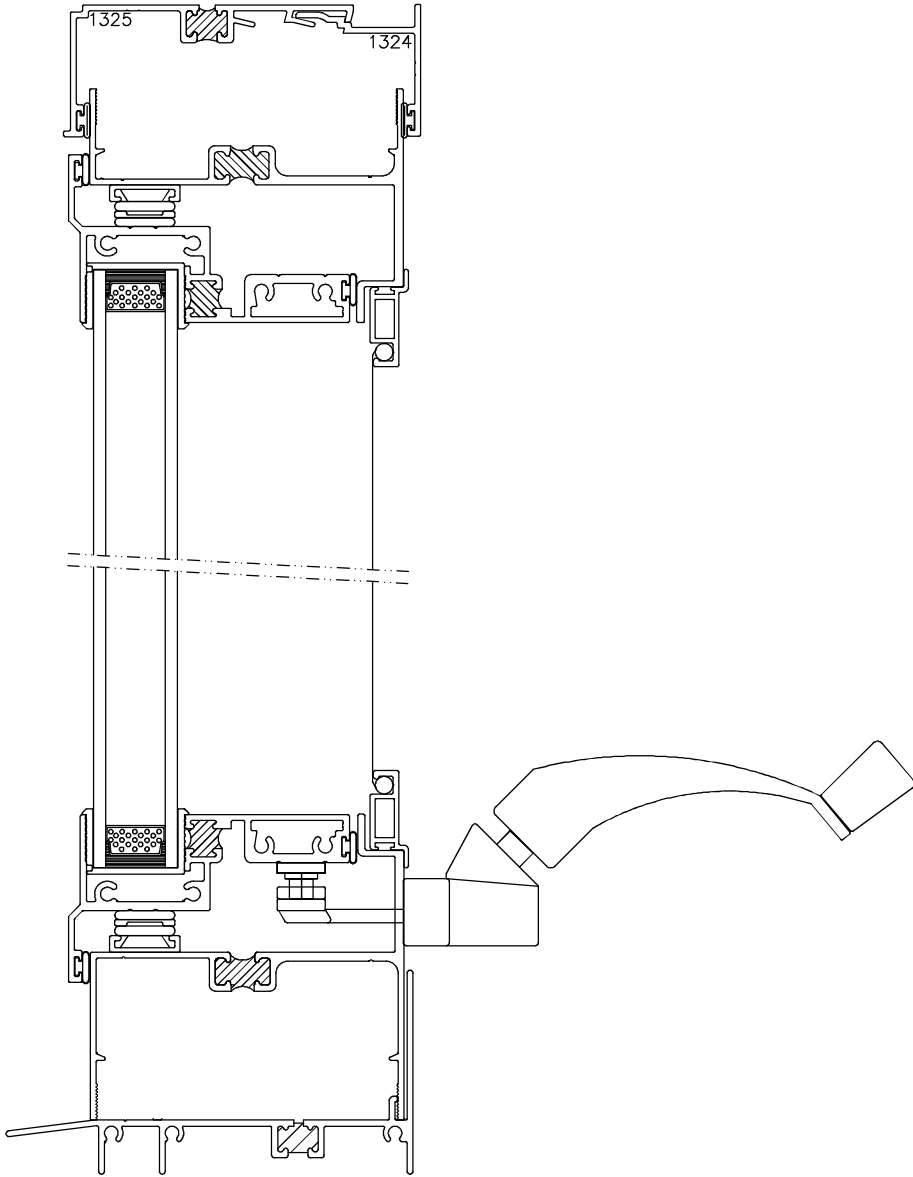
04/02/12  
PAGE 01

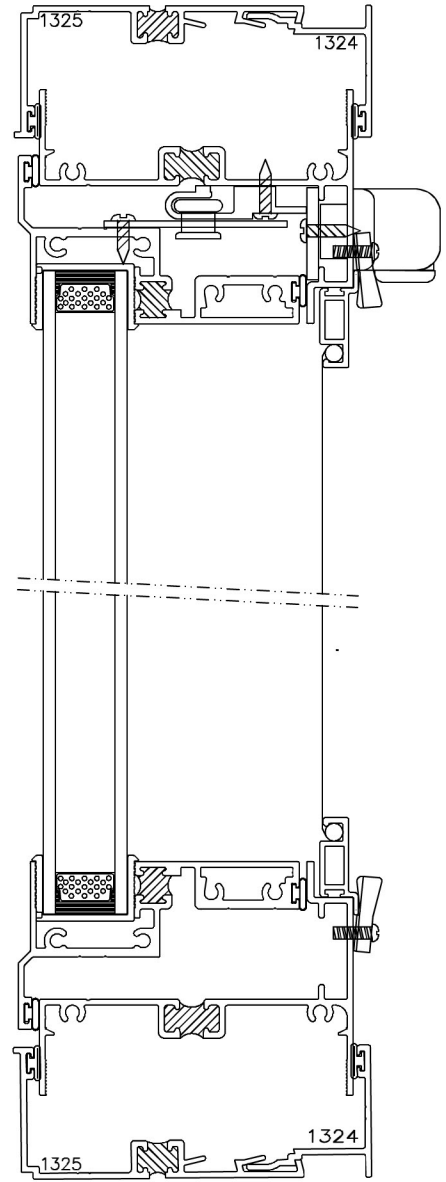
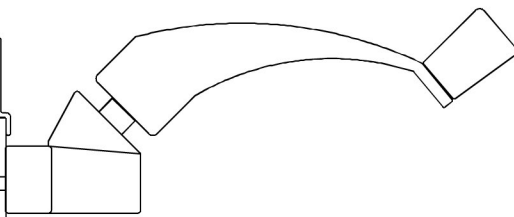
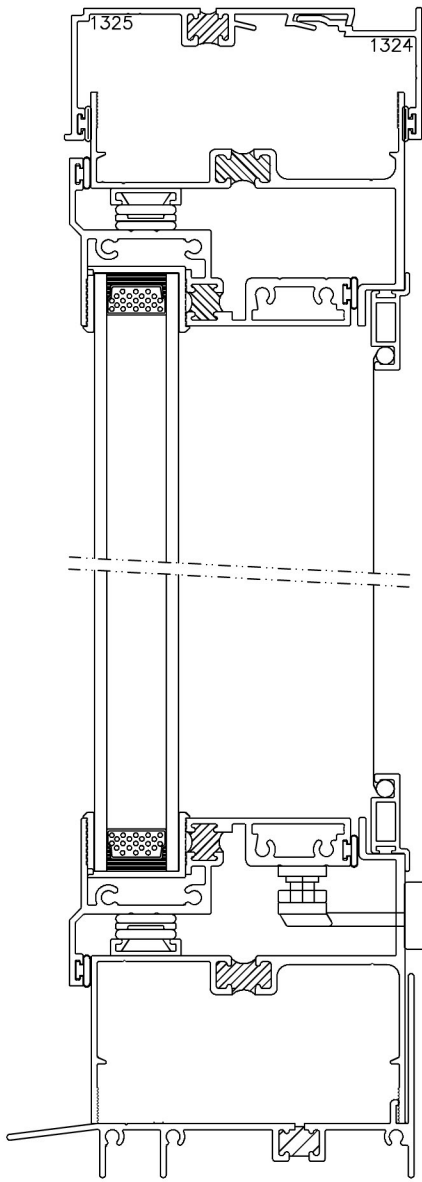


SERIES 900 W/FIN - STUCCO DETAIL  
SCALE: 1/2"=1"



THERMAL  
WINDOWS, INC.





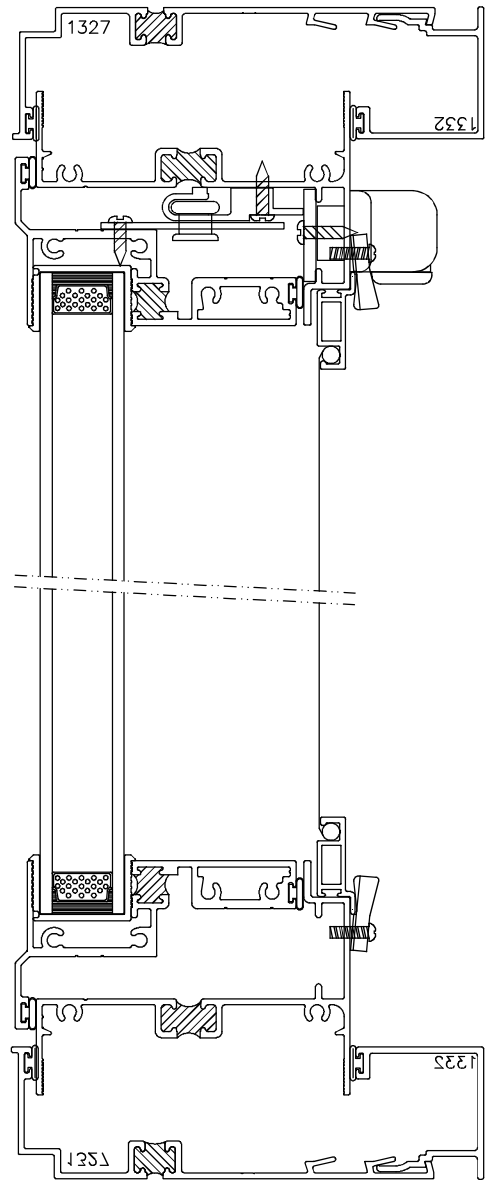
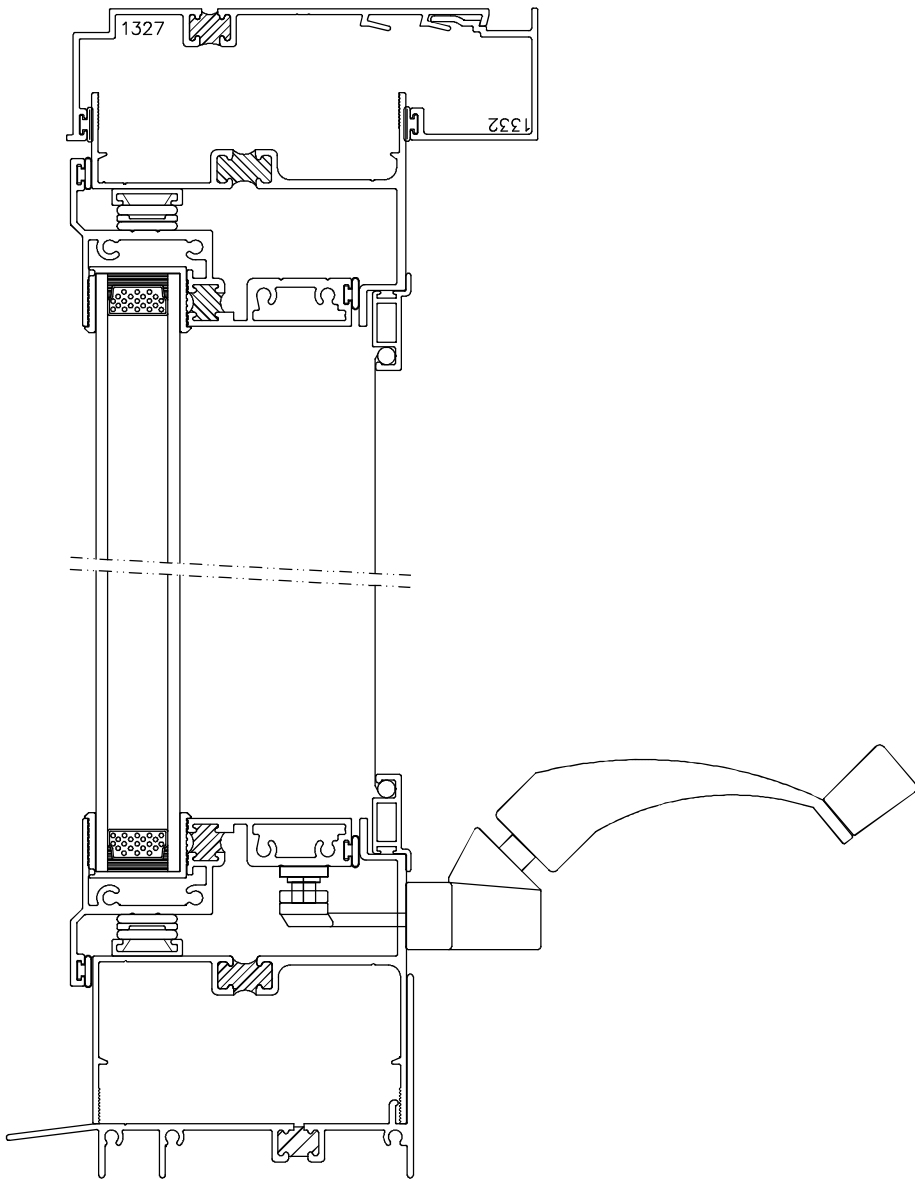
05/19/08

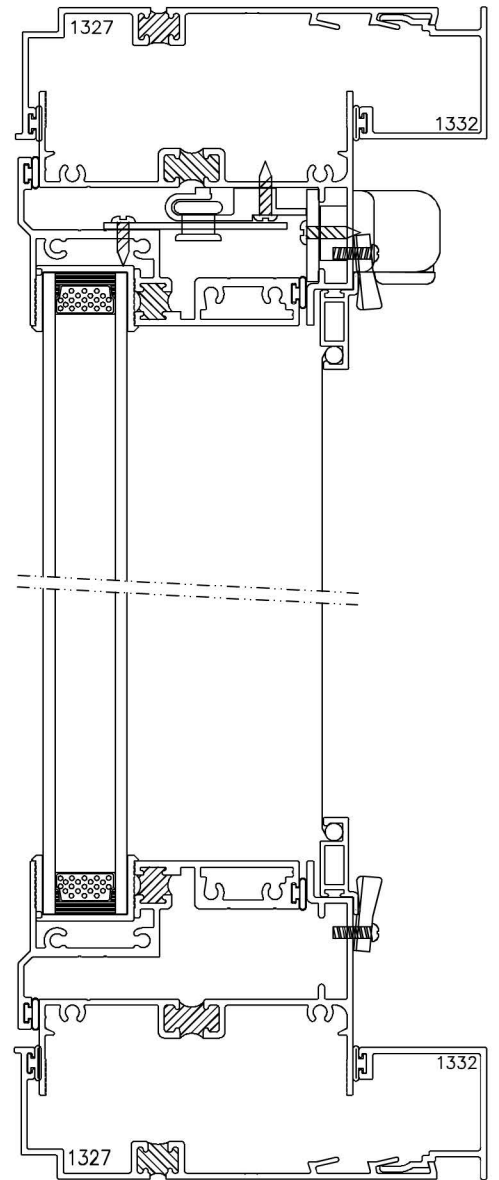
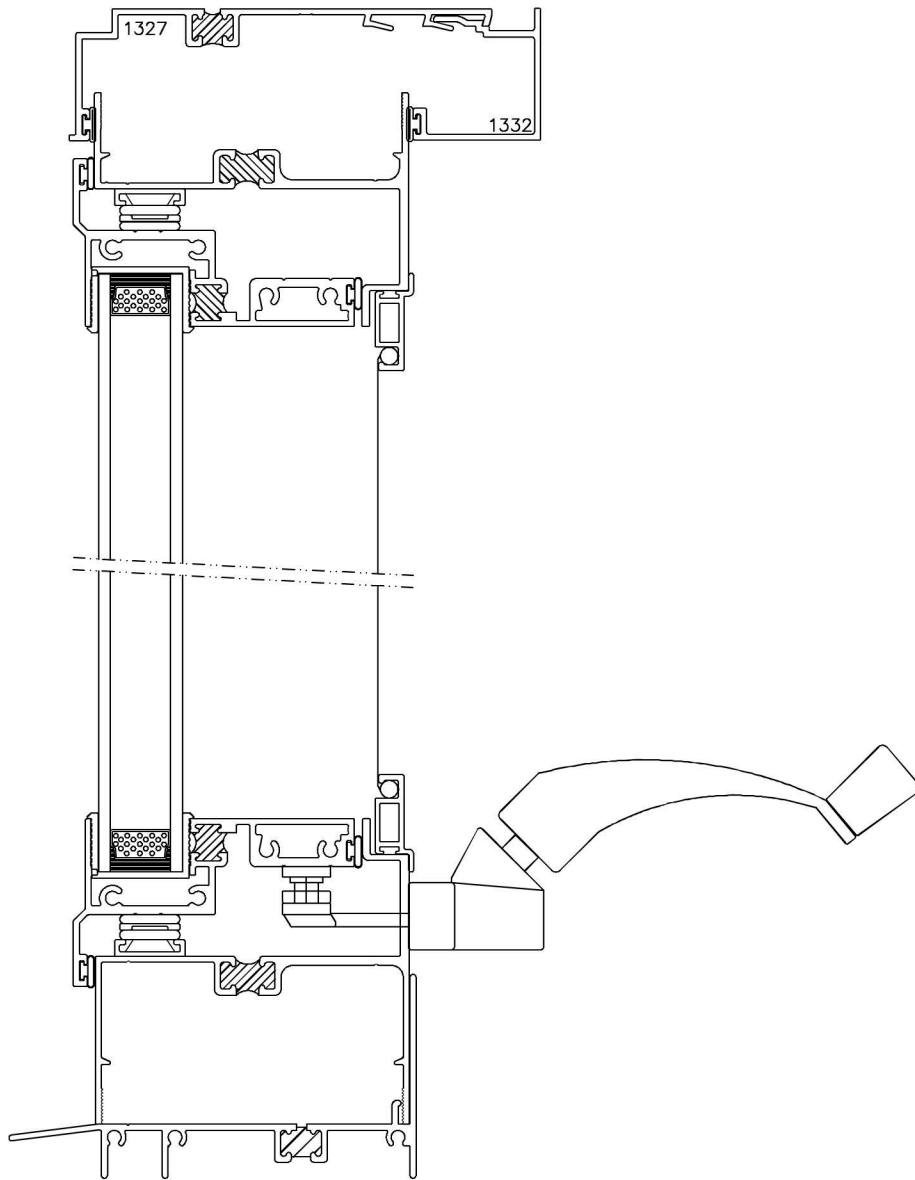
PAGE 01

# SERIES "900"  
SCALE: 1/2"=1"



THERMAL  
WINDOWS, INC.





05/19/08

PAGE 01

# SERIES "900"  
 SCALE: 1/2"=1"



THERMAL  
 WINDOWS, INC.