

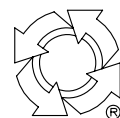
3/27/2008

PAGE 01

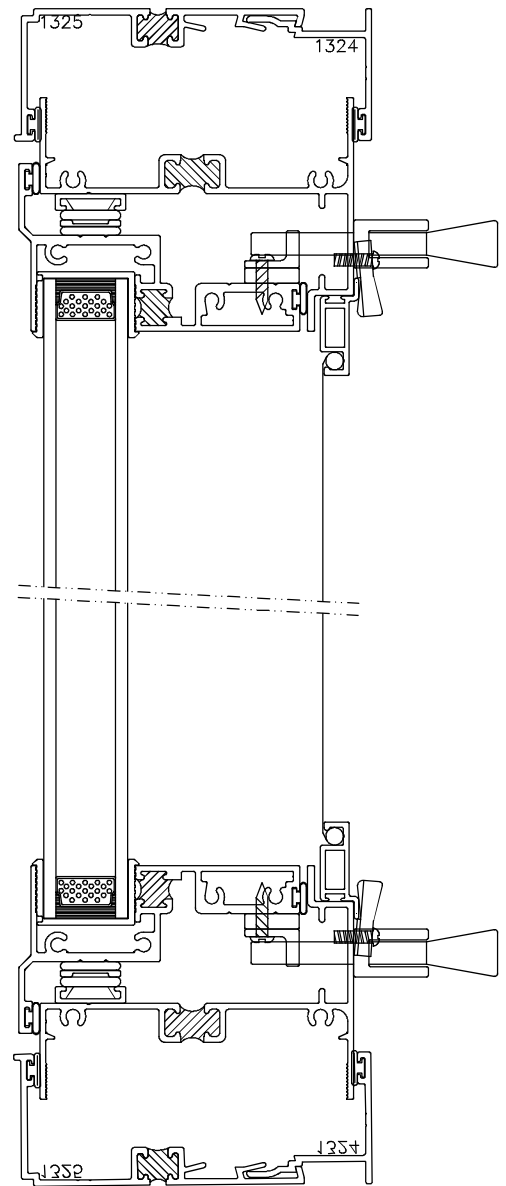
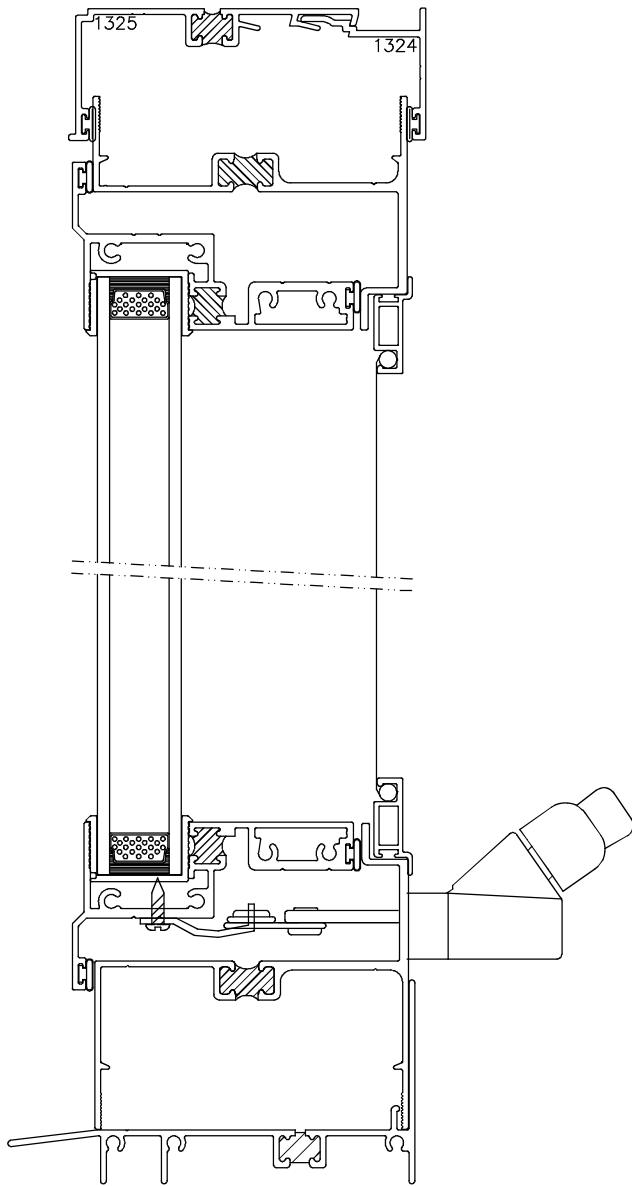
C-70

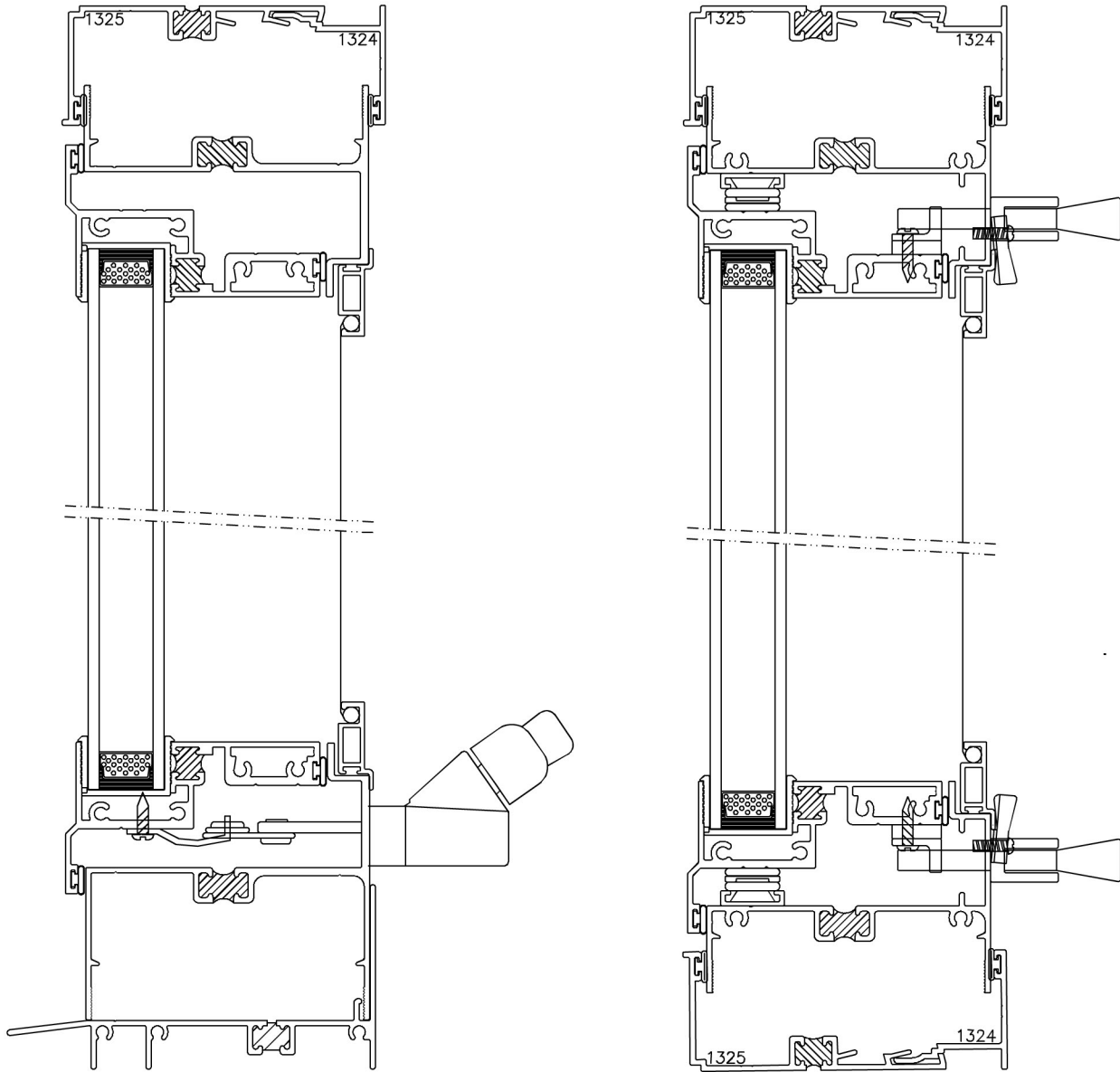
SERIES "925"

SCALE: 1/2"=1"



THERMAL  
WINDOWS, INC.





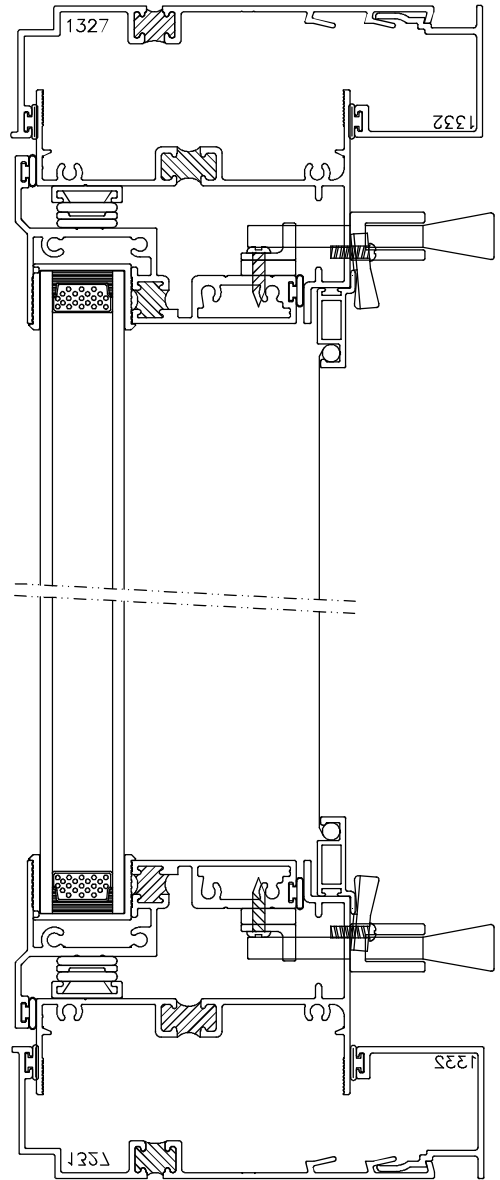
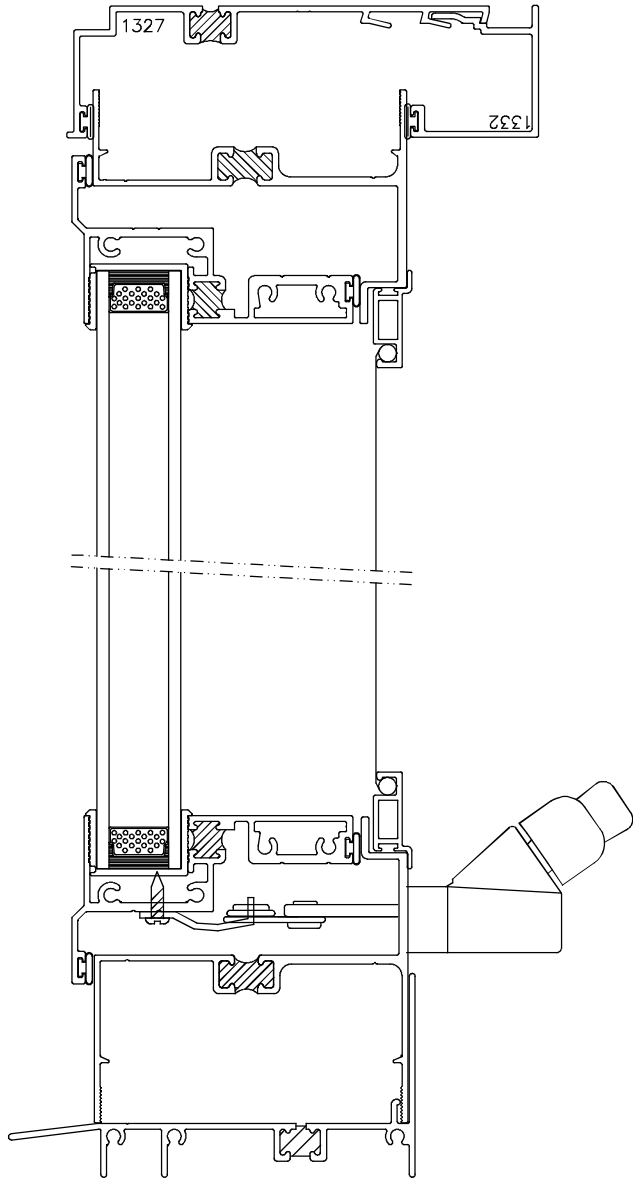
05/19/08

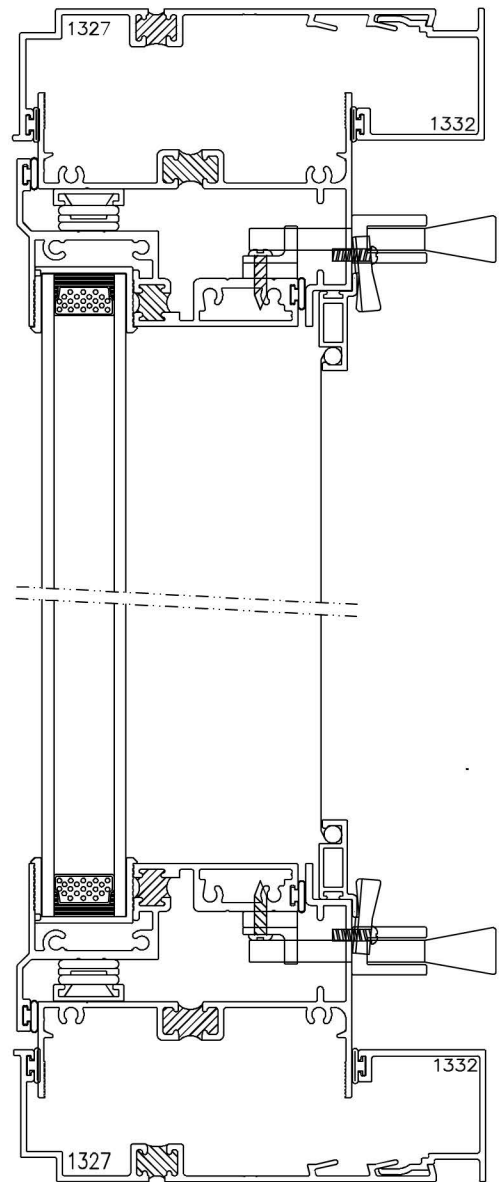
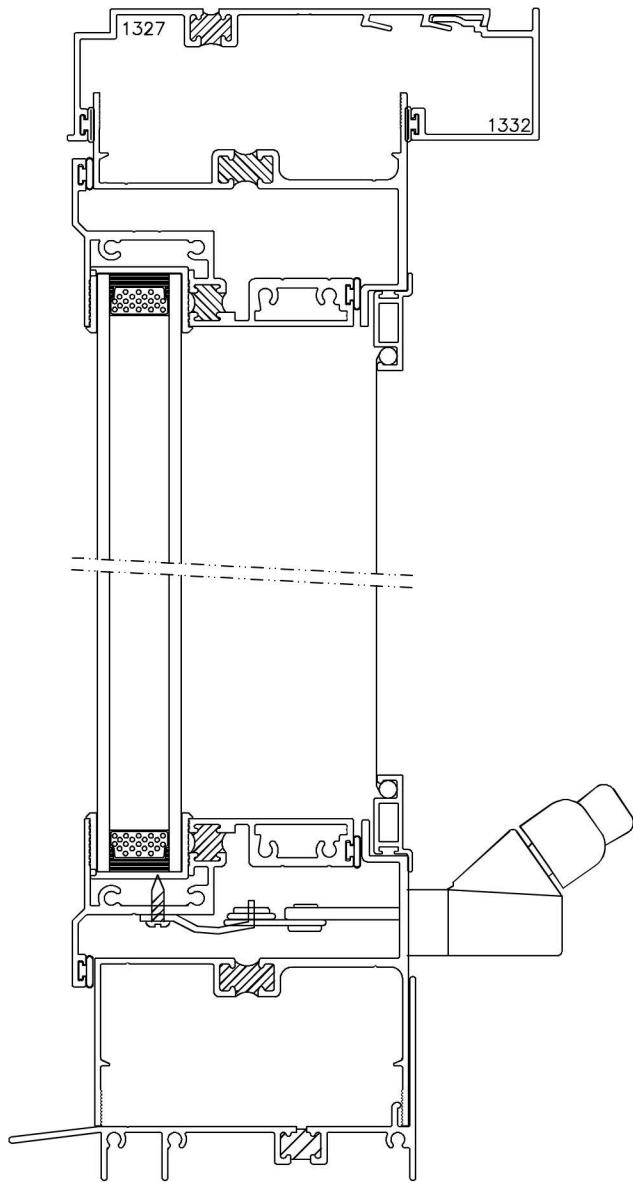
PAGE 01

# SERIES "925"  
SCALE: 1/2"=1"



THERMAL  
WINDOWS, INC.





05/19/08

PAGE 01

# SERIES "925"  
SCALE: 1/2"=1"



THERMAL  
WINDOWS, INC.