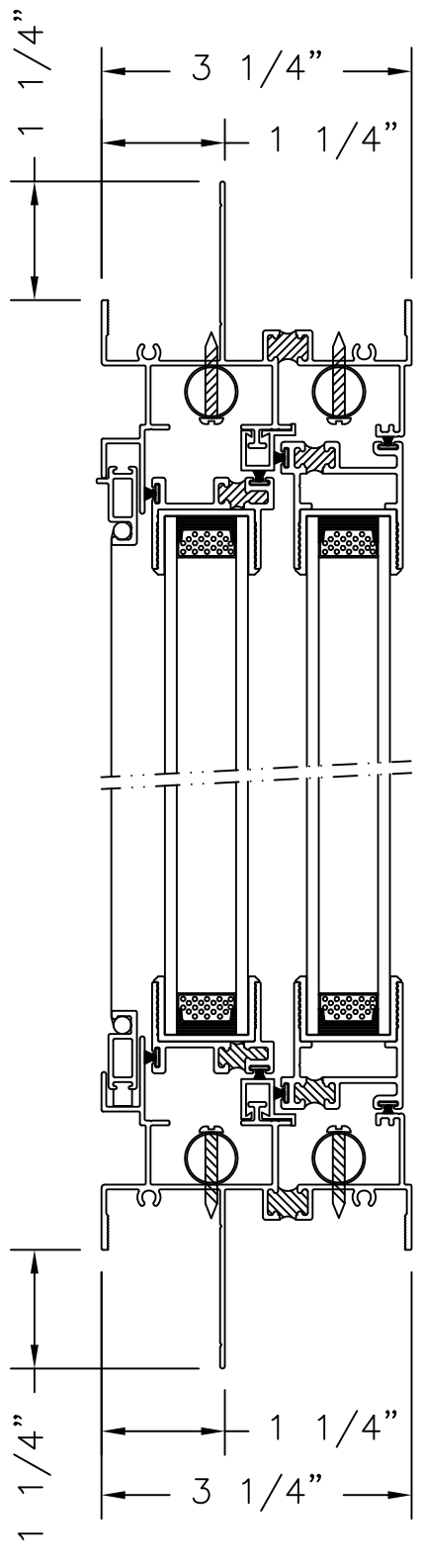
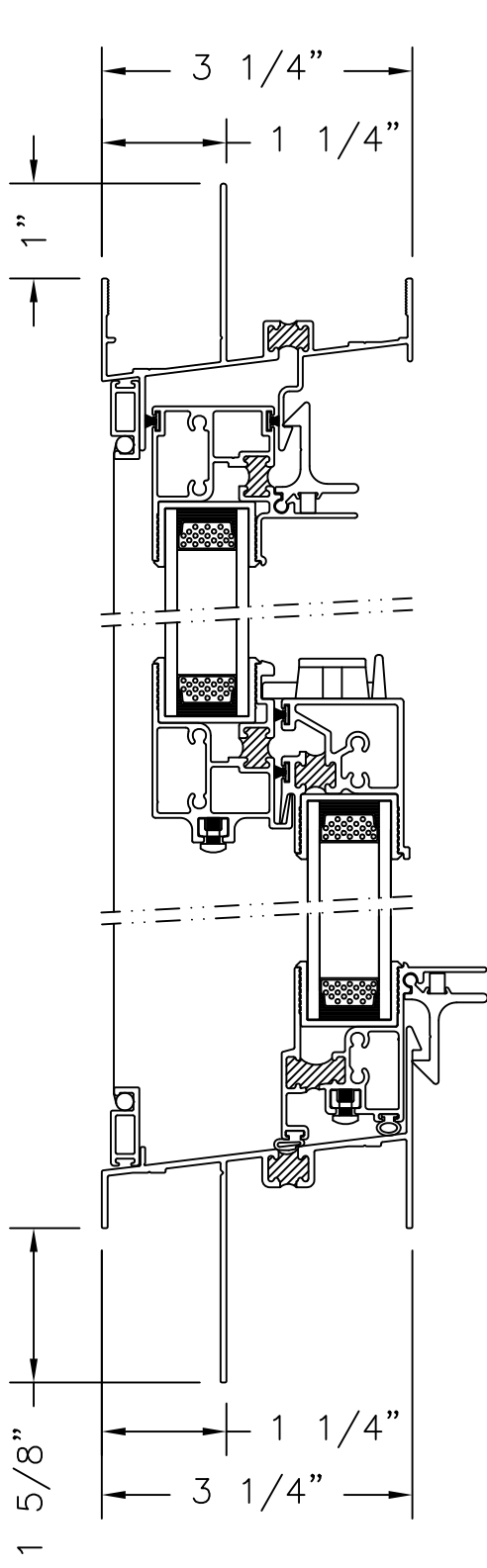


2/7/2007
PAGE 01

C40 SERIES "700"
SCALE: 1/2"=1"

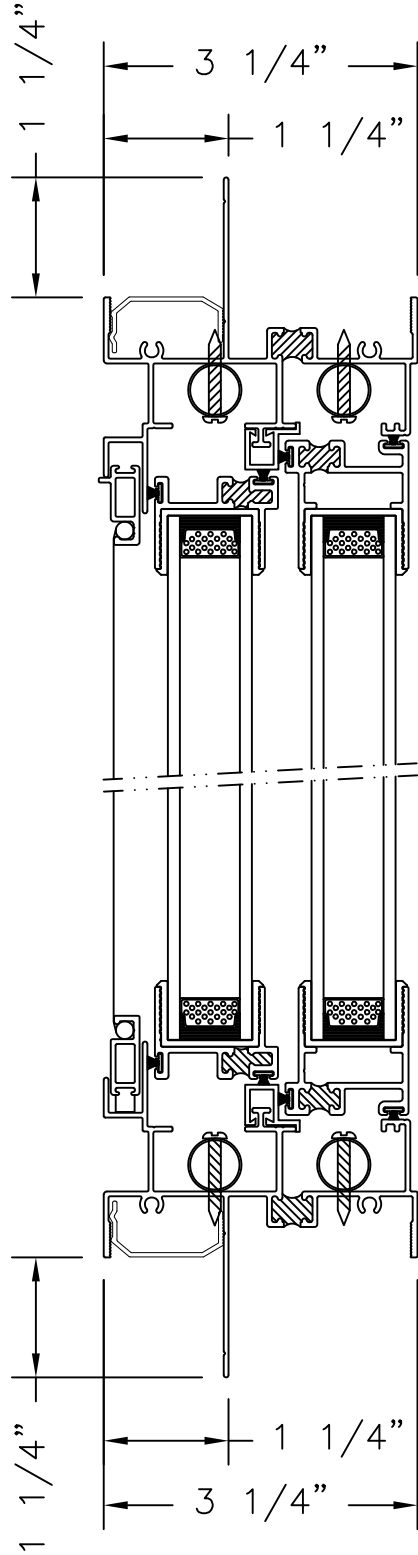
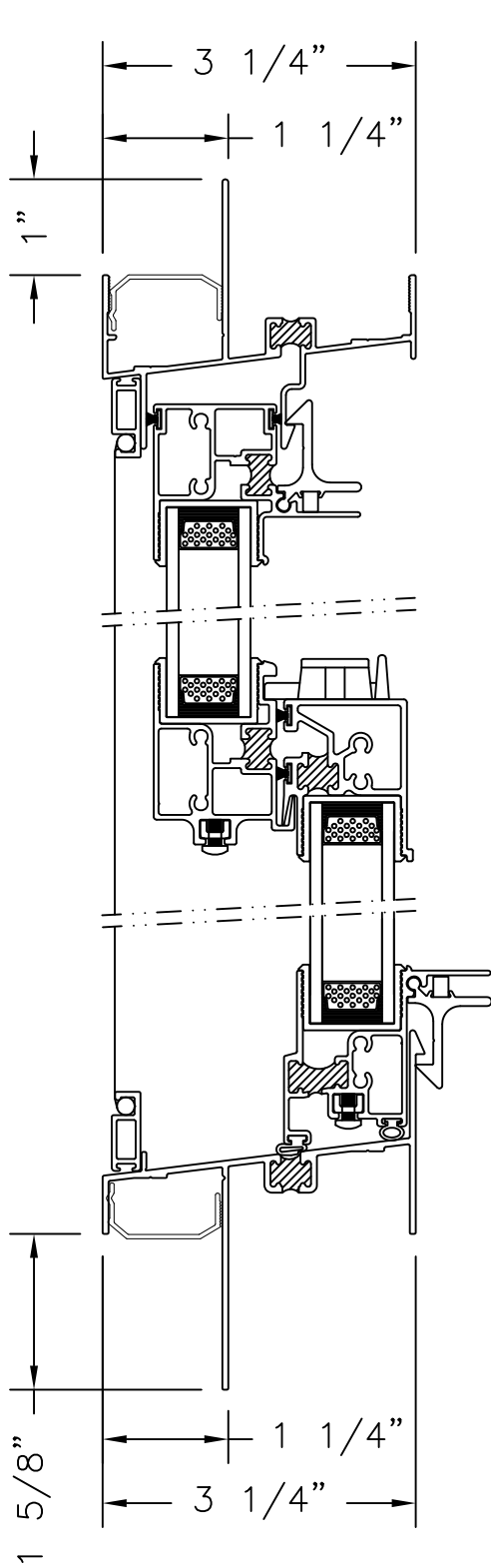




09/25/08
PAGE 01

SERIES "700"
SCALE: 1/2"=1"

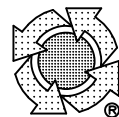




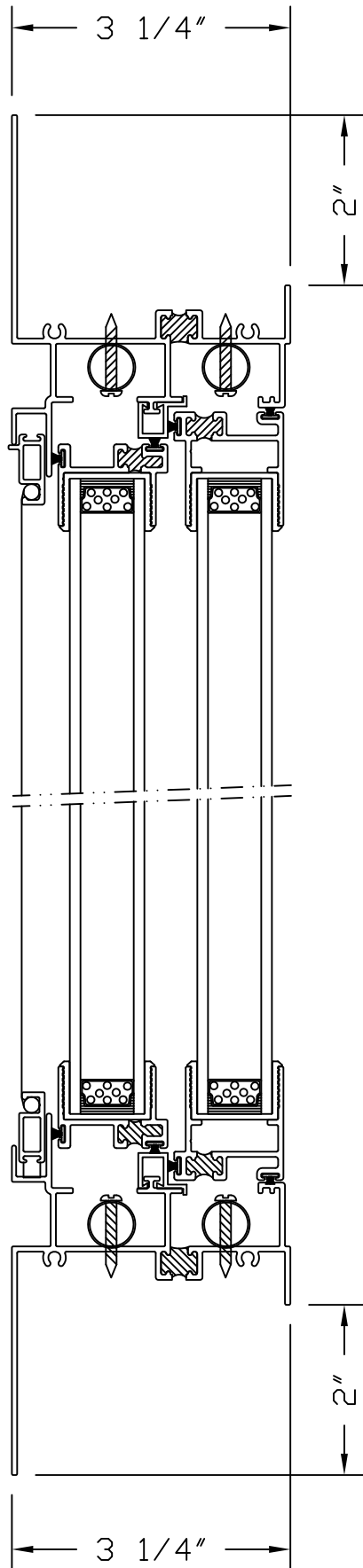
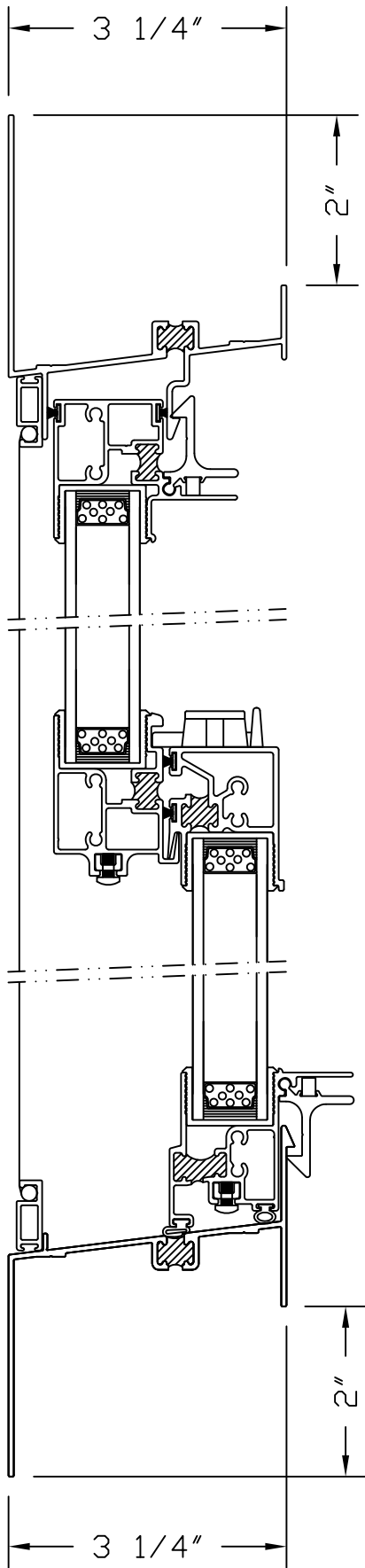
09/25/08

PAGE 01

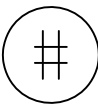
SERIES "700"
SCALE: 1/2"=1"



THERMAL
WINDOWS, INC.

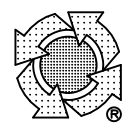


09/11/09
PAGE 01

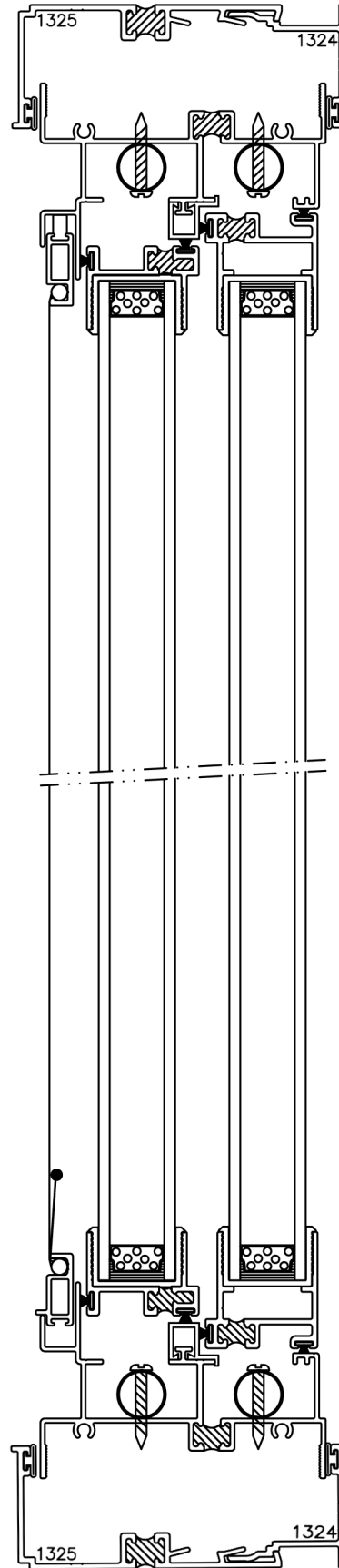
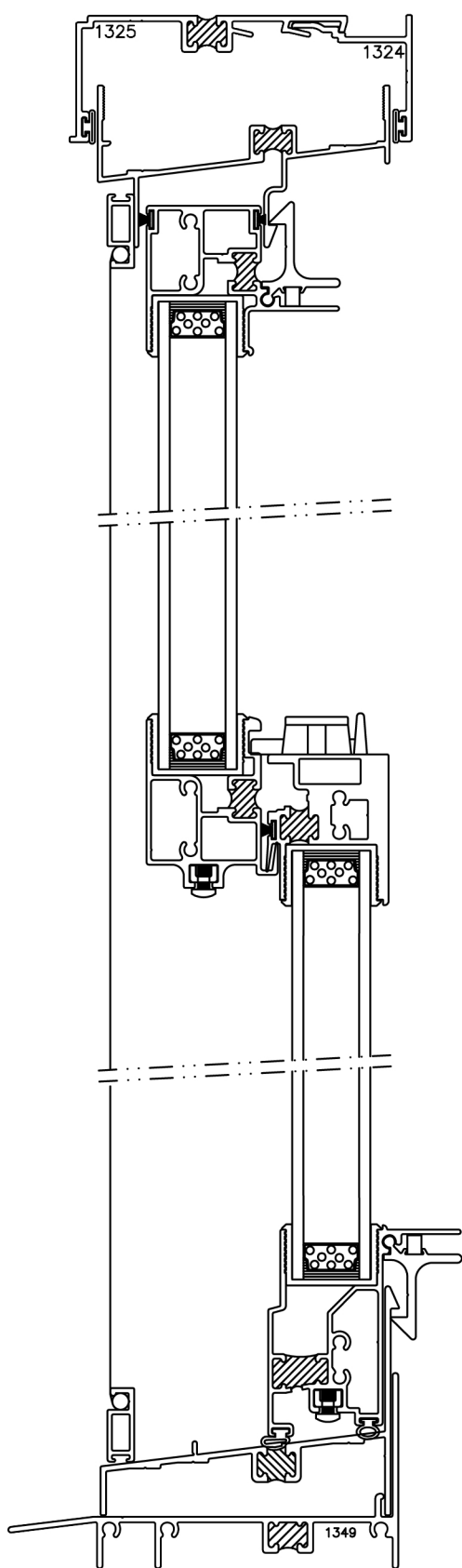


SERIES 700 w/ Flange

SCALE: 1/2"=1"



THERMAL
WINDOWS, INC.



C60

SERIES "700"

SCALE: 1/2"=1"

2/7/2007

PAGE 01



THERMAL
WINDOWS, INC.