

2/7/2007

PAGE 01

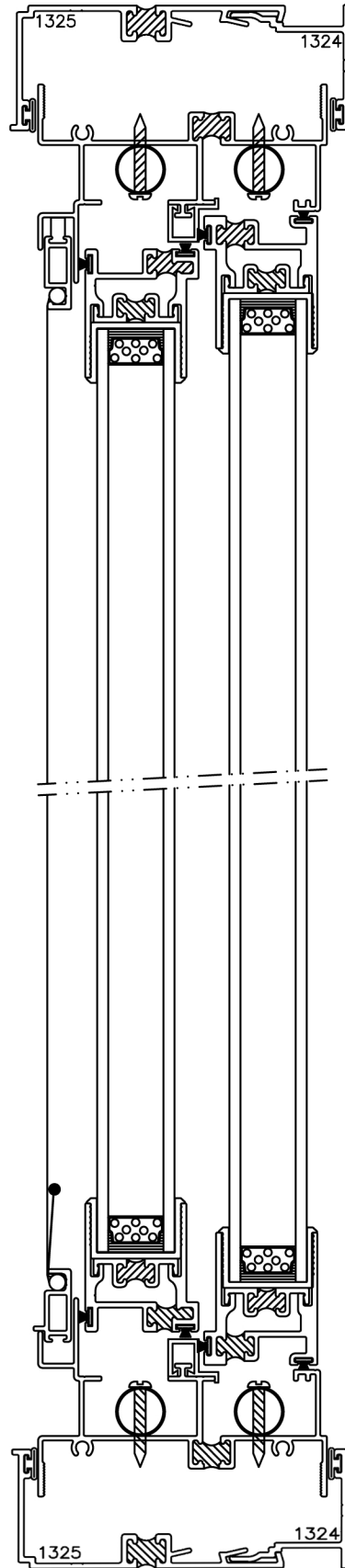
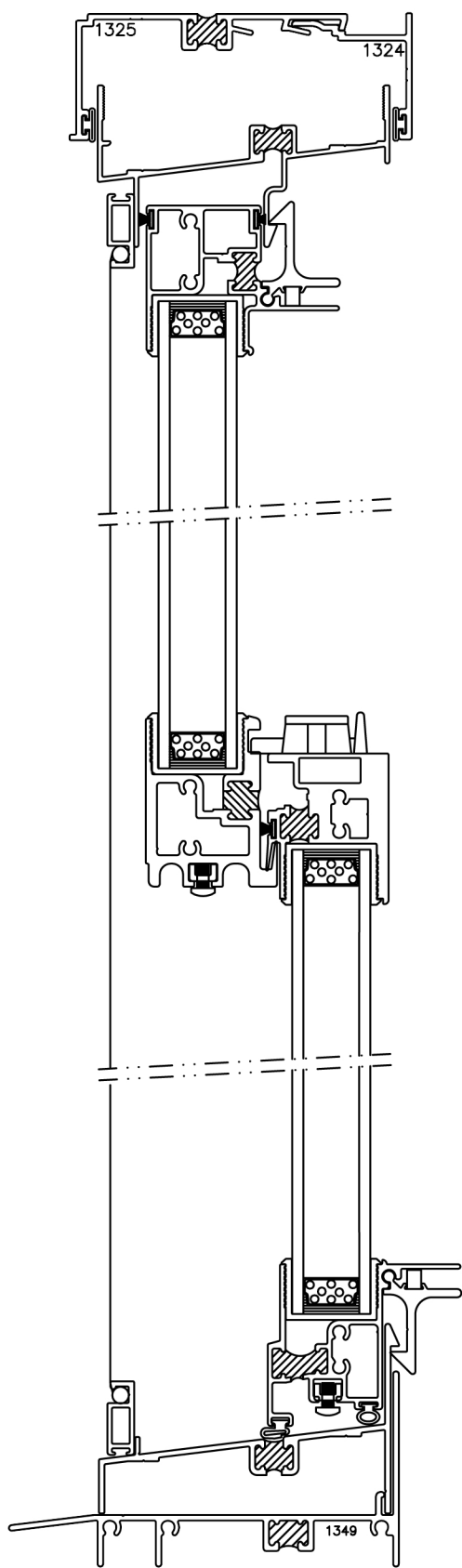
HC40

SERIES "710"

SCALE: 1/2"=1"



THERMAL  
WINDOWS, INC.



HC40

# SERIES "710"

SCALE: 1/2"=1"

2/7/2007

PAGE 01



THERMAL  
WINDOWS, INC.