

12/16/04

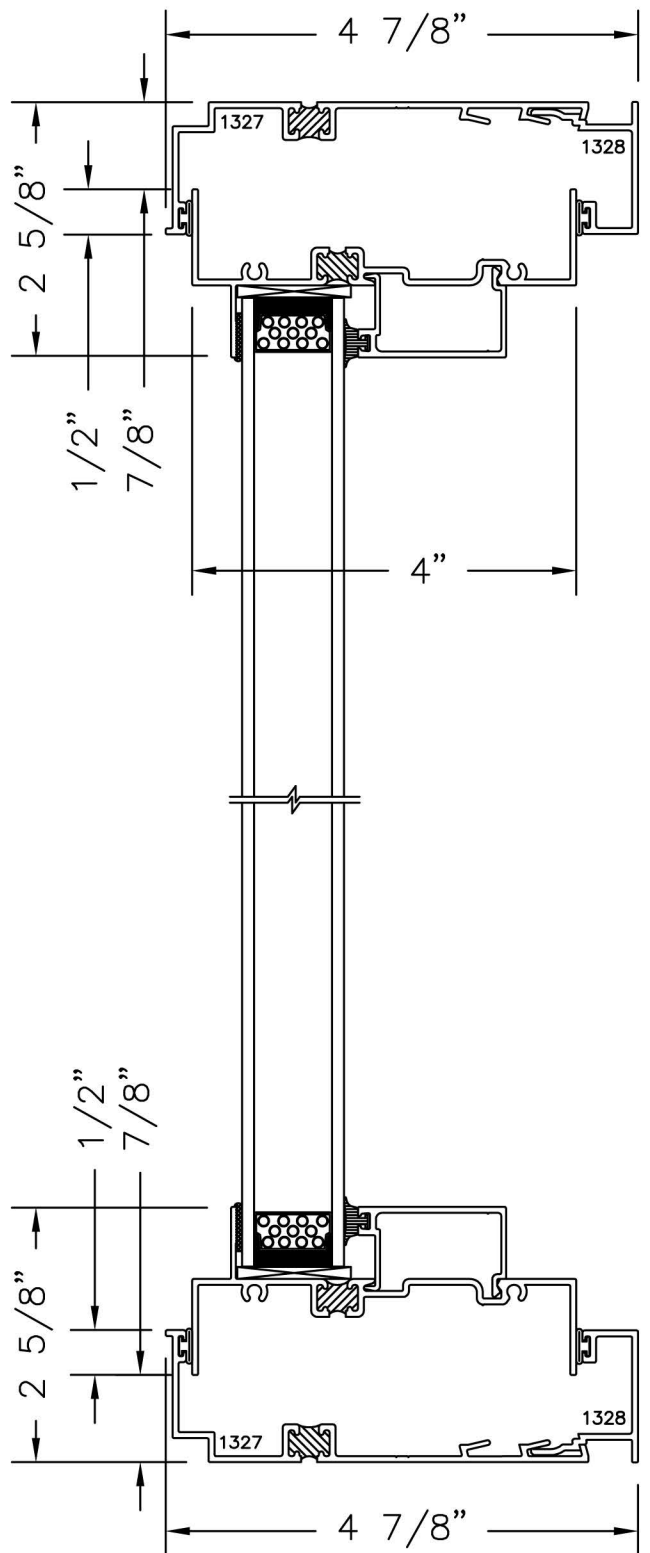
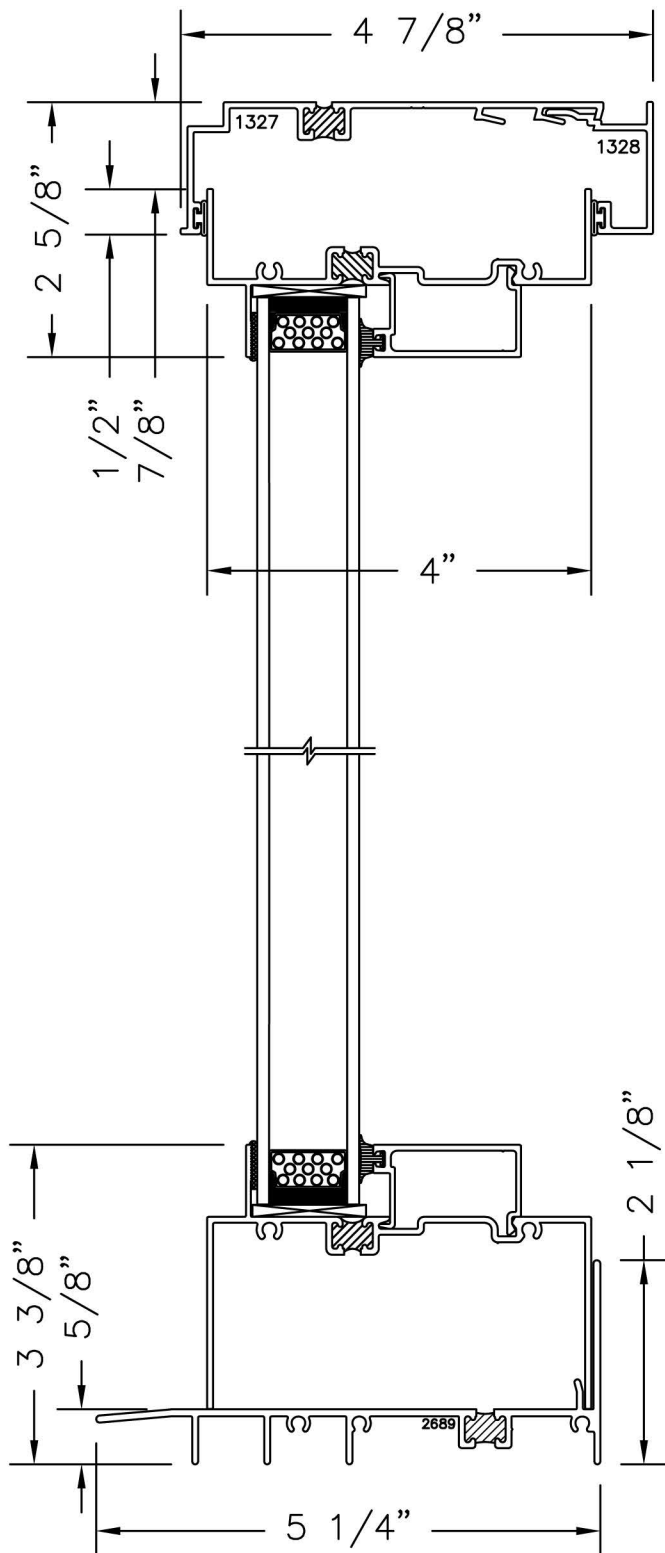
PAGE 01

SERIES "4150" RECEPTOR SYSTEM

SCALE: $1/2"=1"$



THERMAL
WINDOWS, INC.

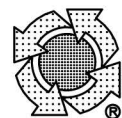


**SERIES: "4150" FIXED WINDOW
W/RECEPTOR & SUBSILL**

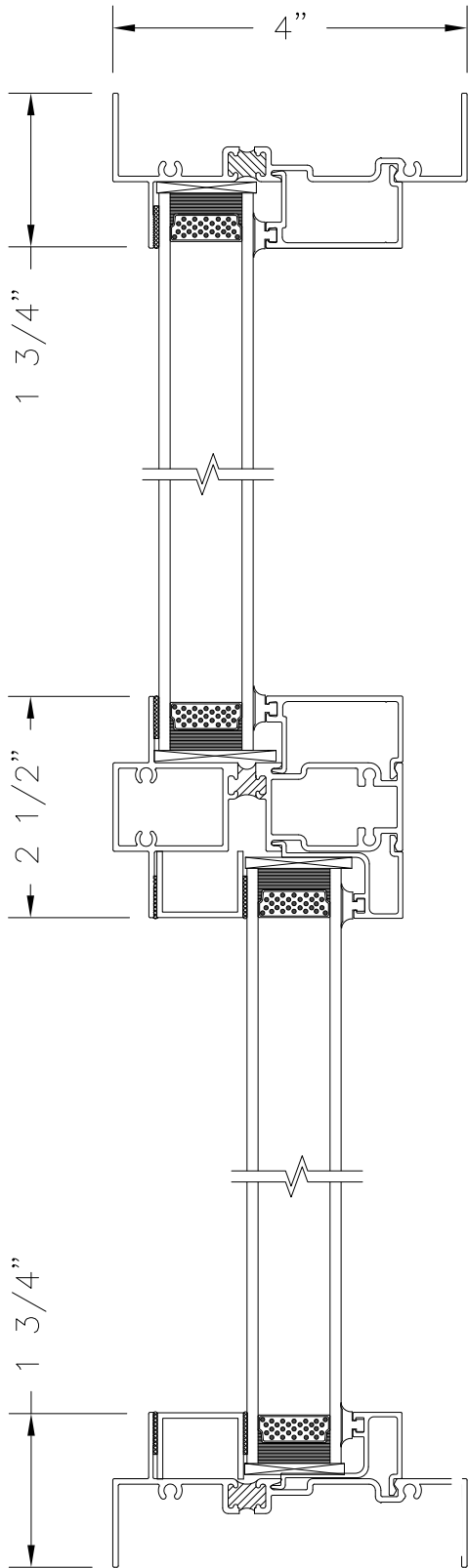
10/06/10

01

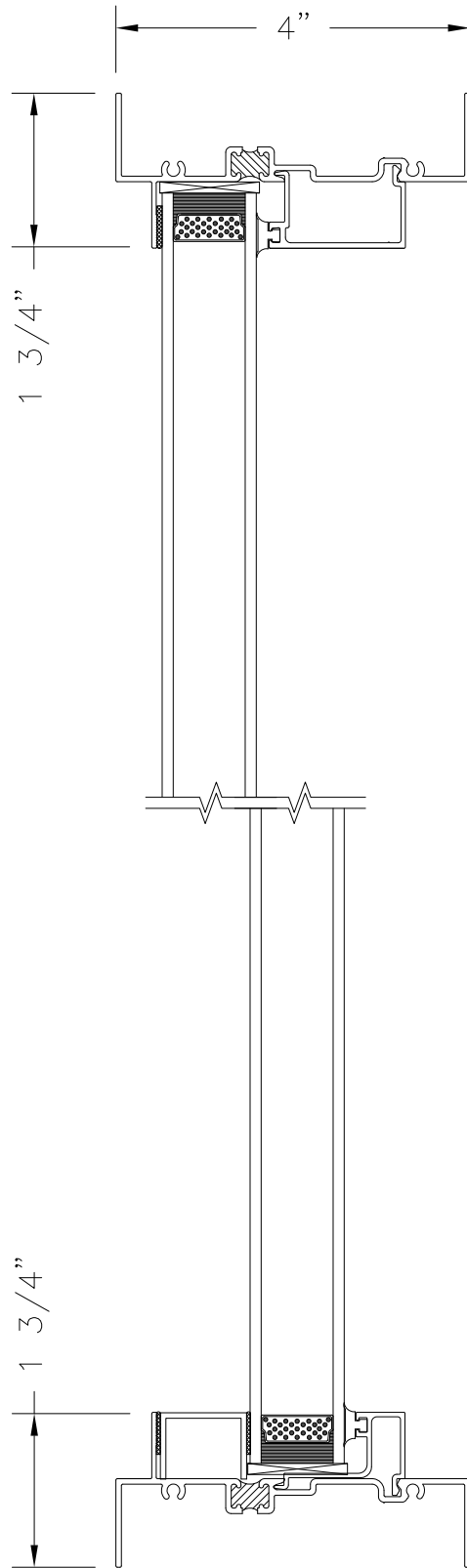
SCALE: $1 \frac{1}{2}$ " = 1"



**THERMAL
WINDOWS, INC.**



SILL & HEAD



JAMBS

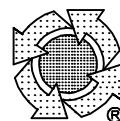
XX/XX/XX

PAGE 01

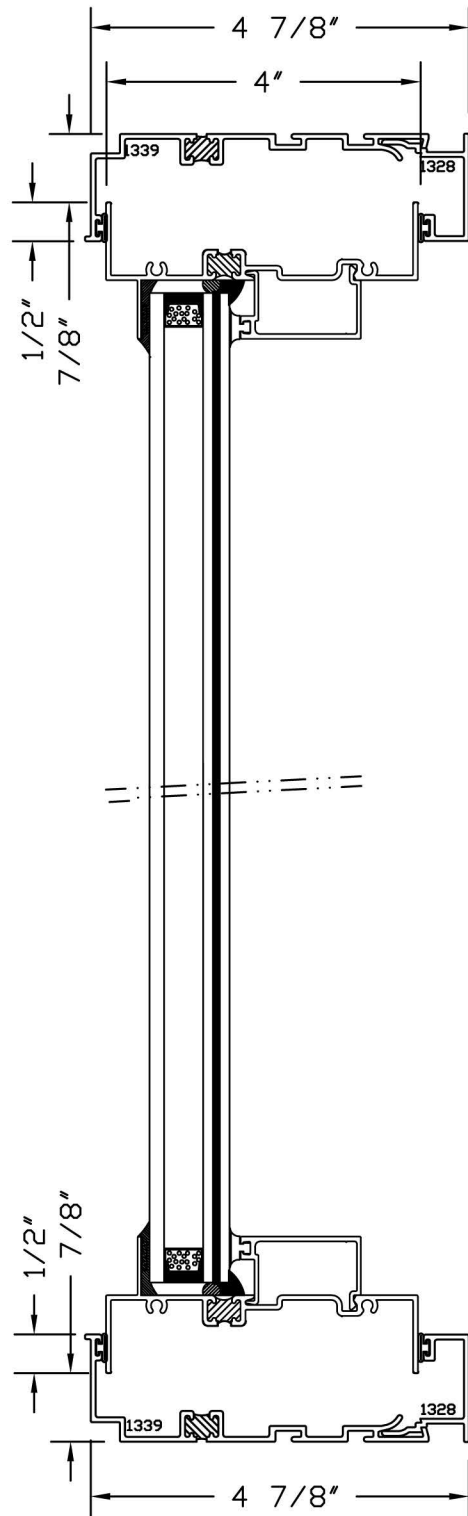
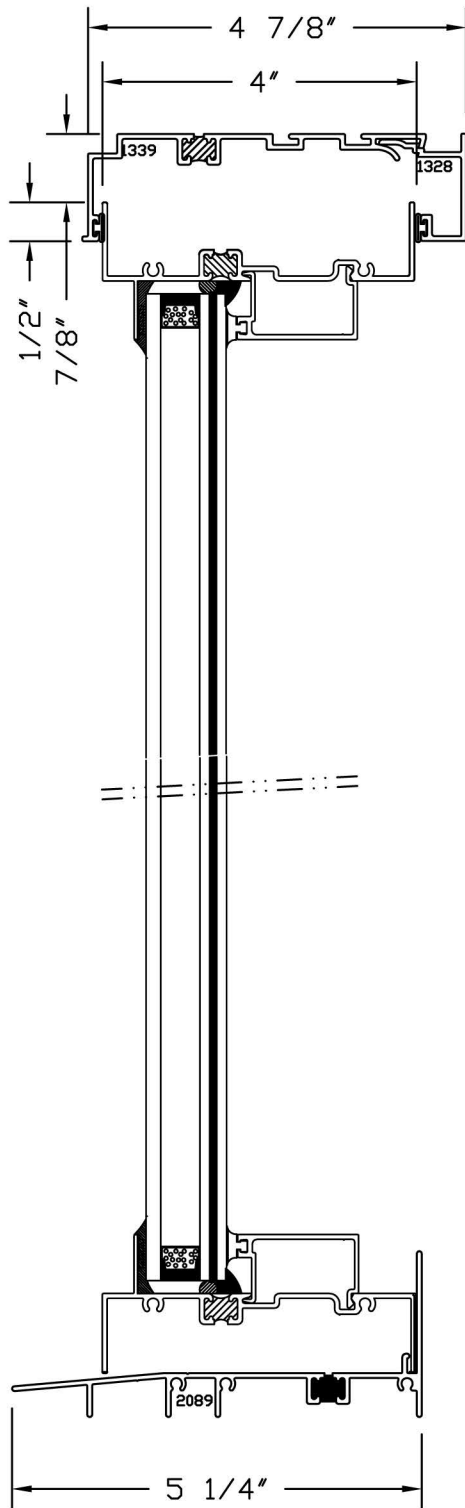


SERIES: 4150 OFFSET GLAZE (NO FIN)

SCALE: 1/2"=1"



THERMAL
WINDOWS, INC.



12/16/04

PAGE 01

SERIES "4150" RECEPTOR SYSTEM

SCALE: 1/2"=1"



THERMAL
WINDOWS, INC.