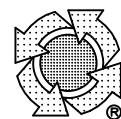


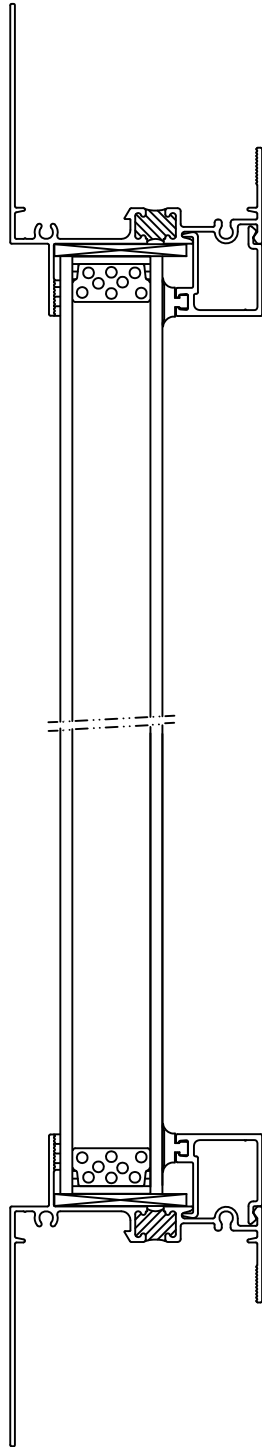
08/07/08

PAGE 01

SERIES "550"
SCALE: 1/2"=1"



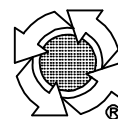
THERMAL
WINDOWS, INC.



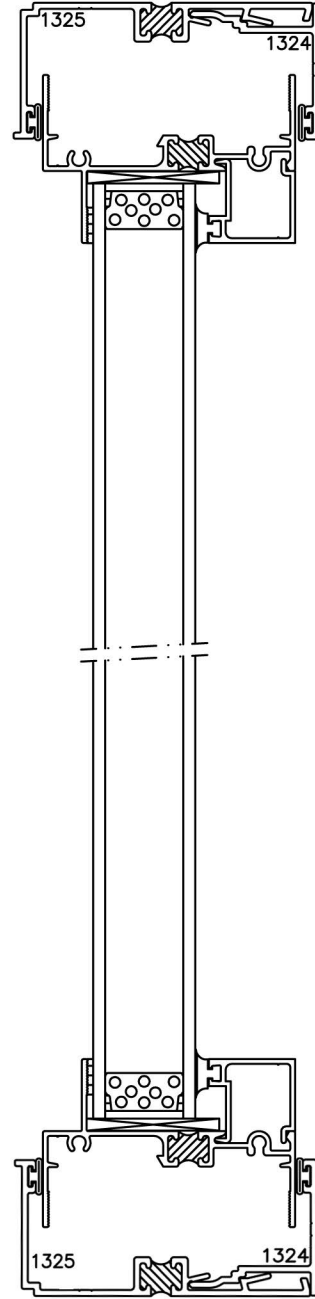
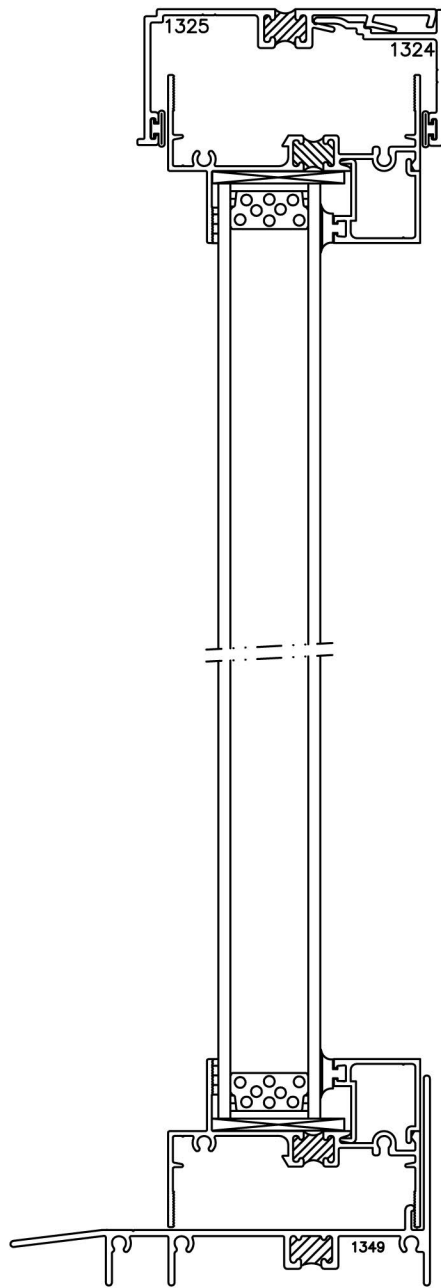
01/02/09

PAGE 01

SERIES "550"
SCALE: 1/2"=1" FLANGE FRAME



THERMAL
WINDOWS, INC.

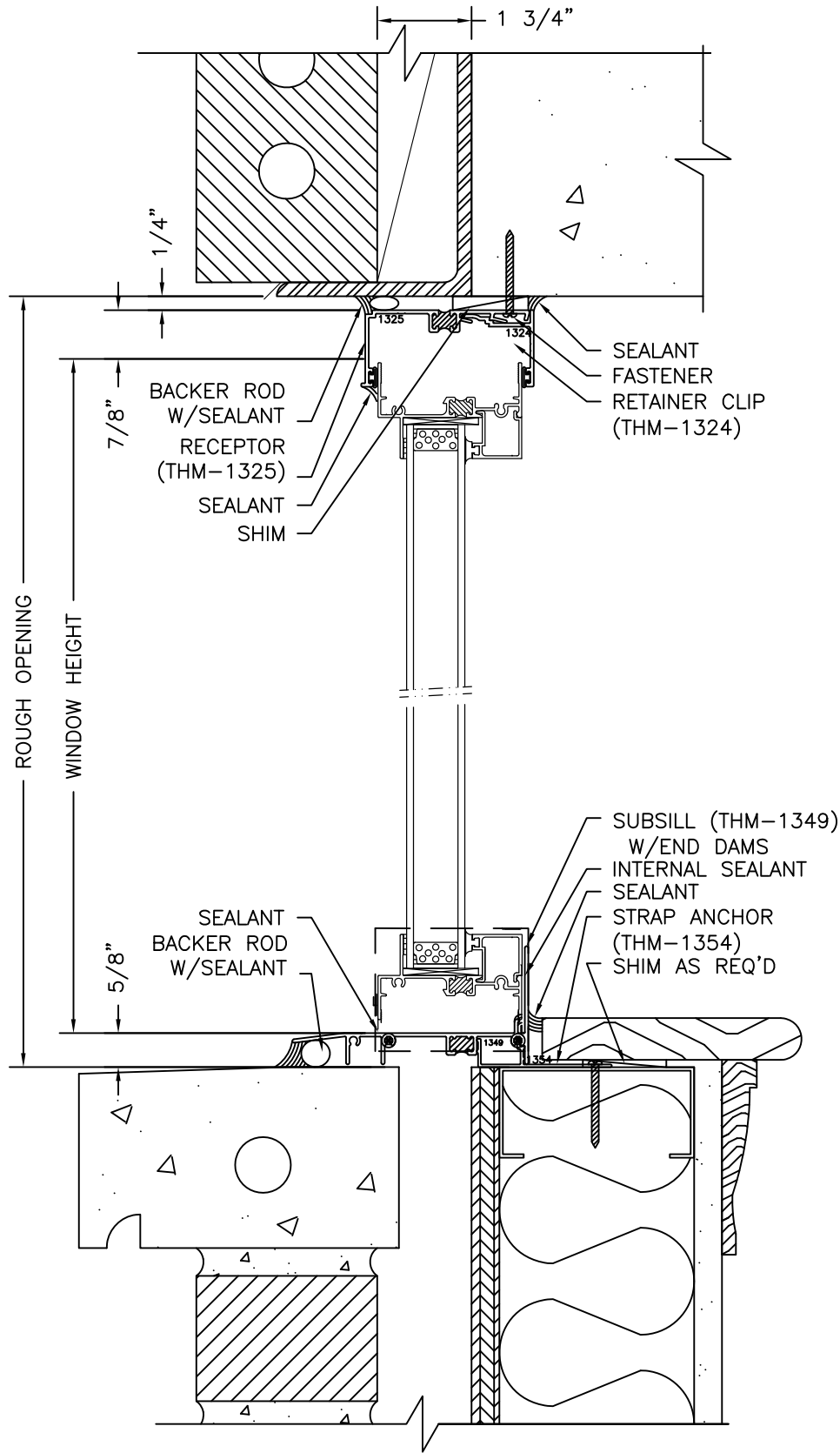


01/21/09
PAGE 01

SERIES "550"
SCALE: 1/2"=1"



THERMAL
WINDOWS, INC.



1 3/4"
 1/4"
 7/8"
 BACKER ROD
 W/SEALANT
 RECEPTOR
 (THM-1325)
 SEALANT
 SHIM
 SEALANT
 FASTENER
 RETAINER CLIP
 (THM-1324)

ROUGH OPENING
 WINDOW HEIGHT
 5/8"
 SEALANT
 BACKER ROD
 W/SEALANT
 SUBSILL (THM-1349)
 W/END DAMS
 INTERNAL SEALANT
 SEALANT
 STRAP ANCHOR
 (THM-1354)
 SHIM AS REQ'D



SAMPLE INSTALLATION DETAIL

SCALE: 4"=1'
 SERIES 550 W/ 1324-25 RECEPTOR
 & 1349 SUBSILL

02/01/08
 PAGE 01

