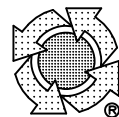


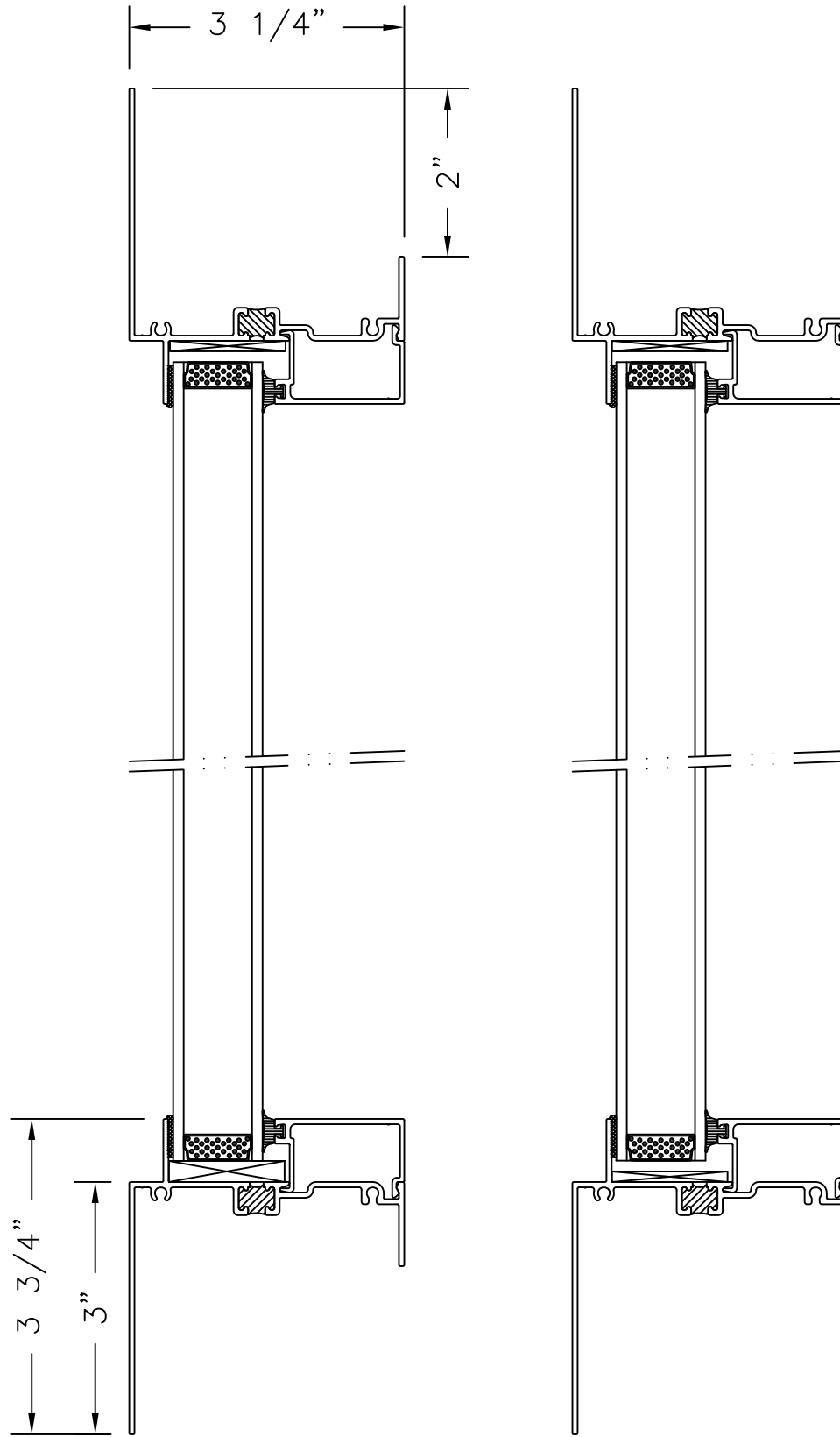
05/22/08

PAGE 01

# SERIES "750"  
SCALE: 1/2"=1" (WITH FIN)



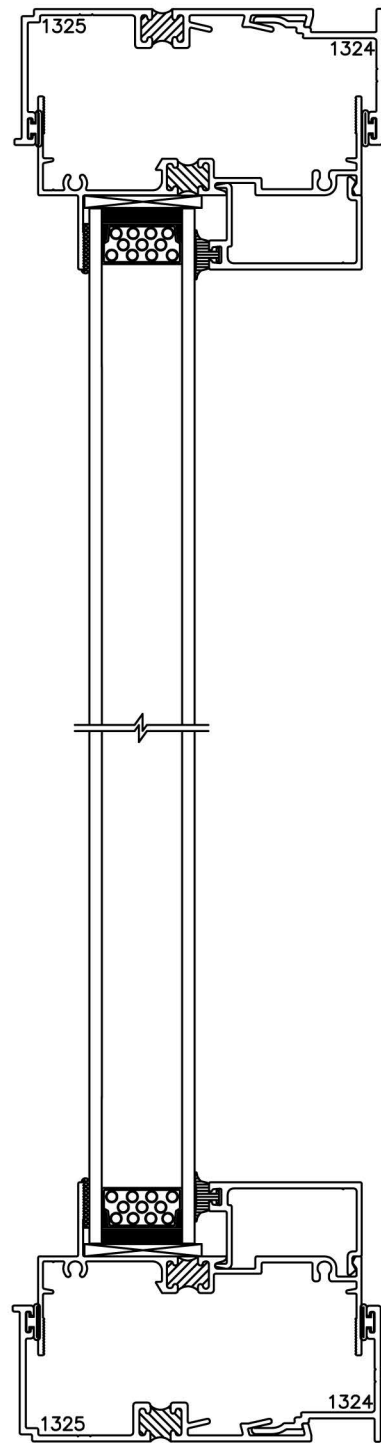
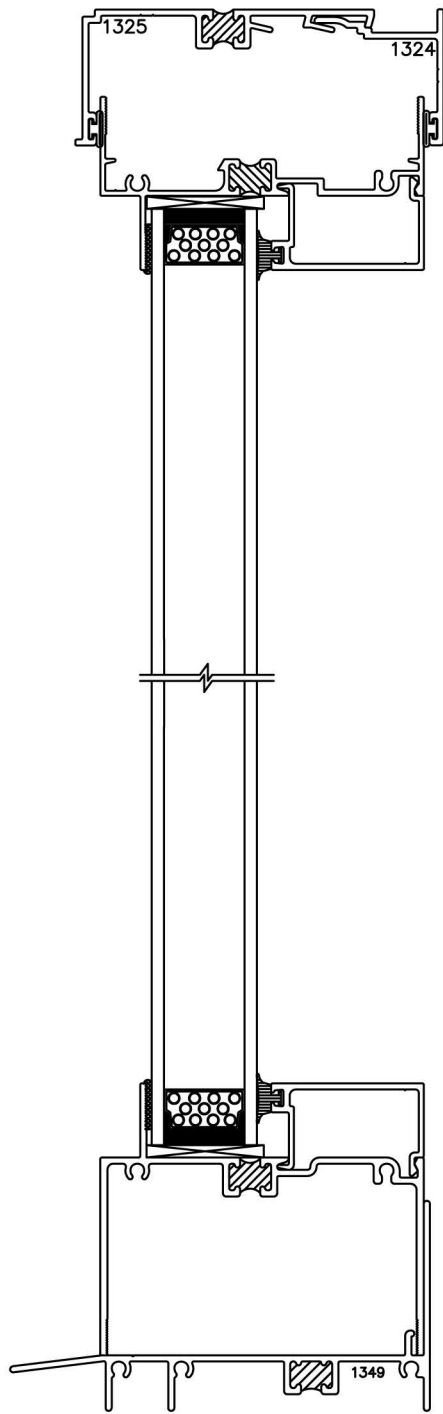
THERMAL  
WINDOWS, INC.



XX/XX/XX  
PAGE 01

# SERIES "750" Flange  
SCALE: 1/2"=1"





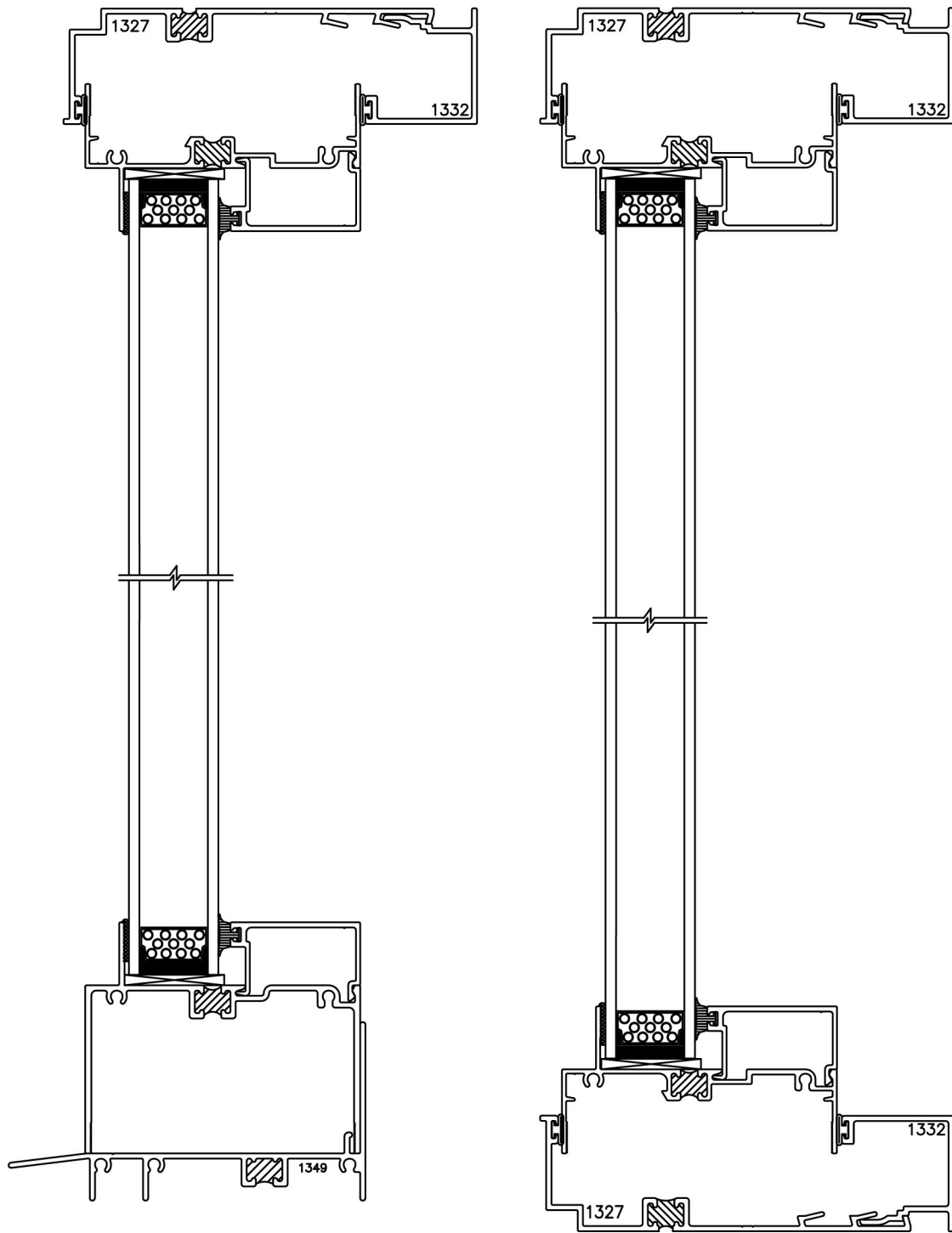
**SERIES: "750" FIXED WINDOW  
W/RECEPTOR & SUBSILL**

06/05/09  
01

SCALE: 1/2"=1"



**THERMAL  
WINDOWS, INC.**



06/05/09  
01

**SERIES: "750" FIXED WINDOW  
W/RECEPTOR & SUBSILL**



SCALE: 1/2"=1"