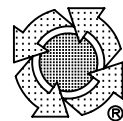


# SERIES "525" W/FIN

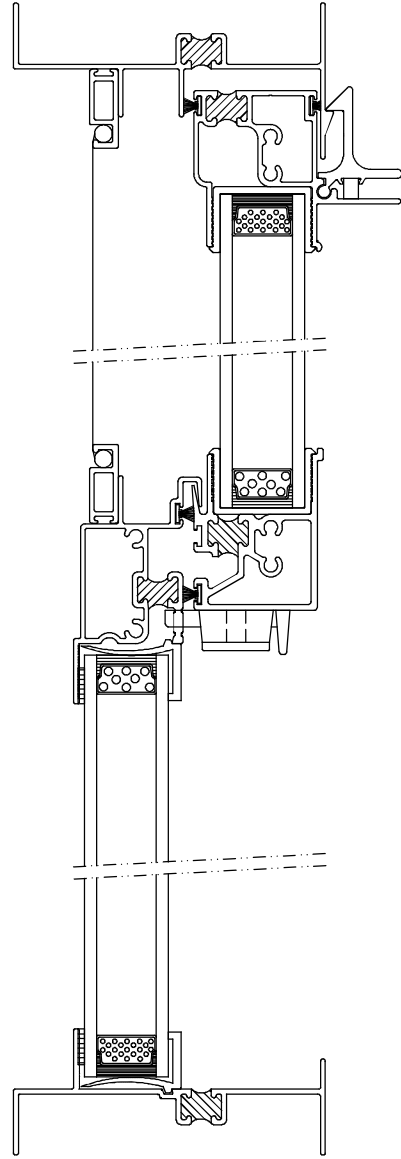
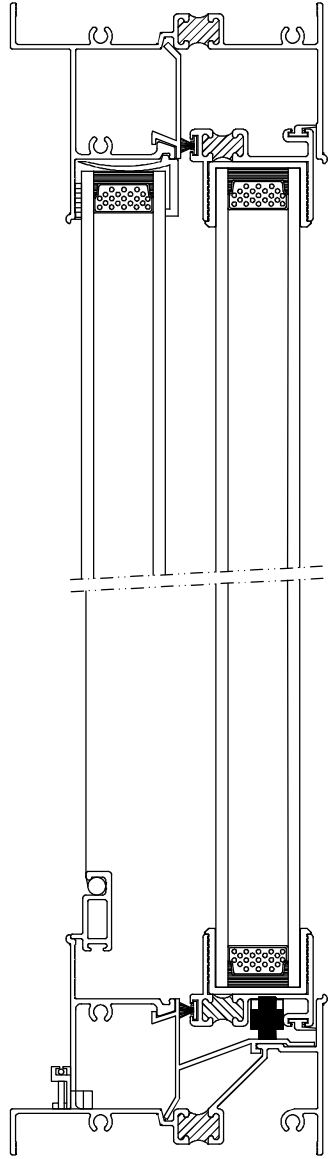
SCALE: 1/2"=1"

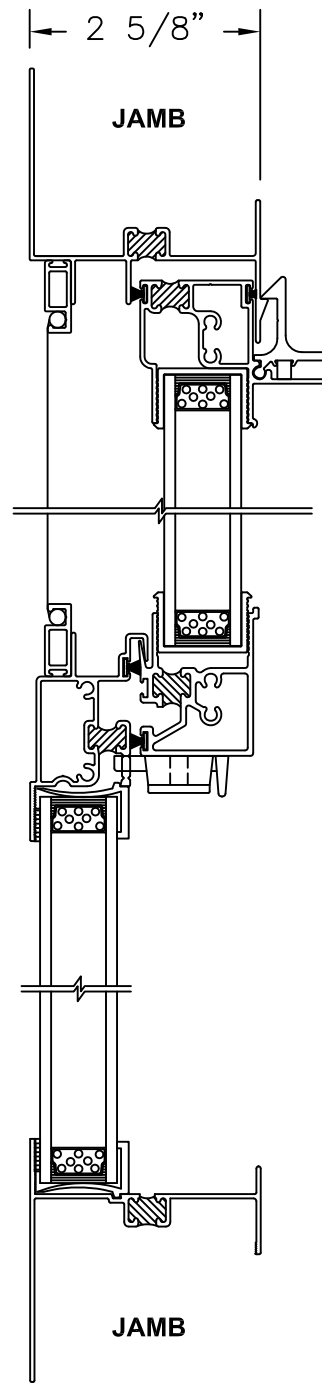
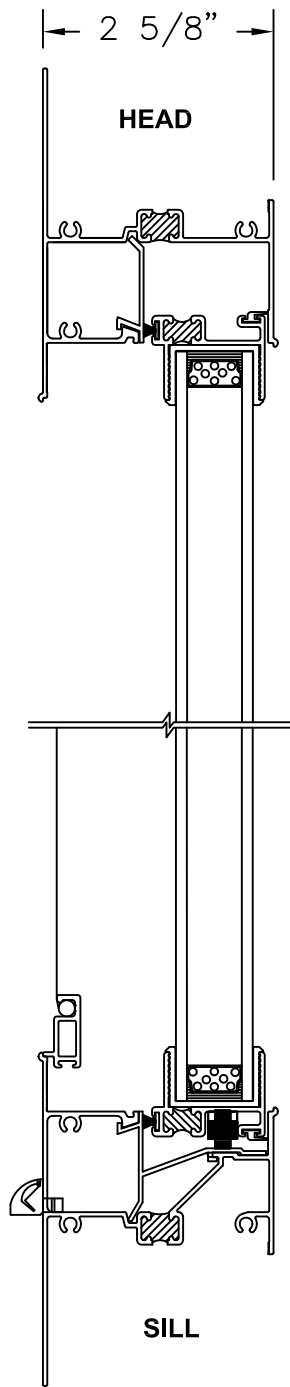
04/06/07

PAGE 01



THERMAL  
WINDOWS, INC.



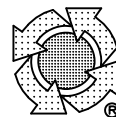


10/28/09

PAGE 01

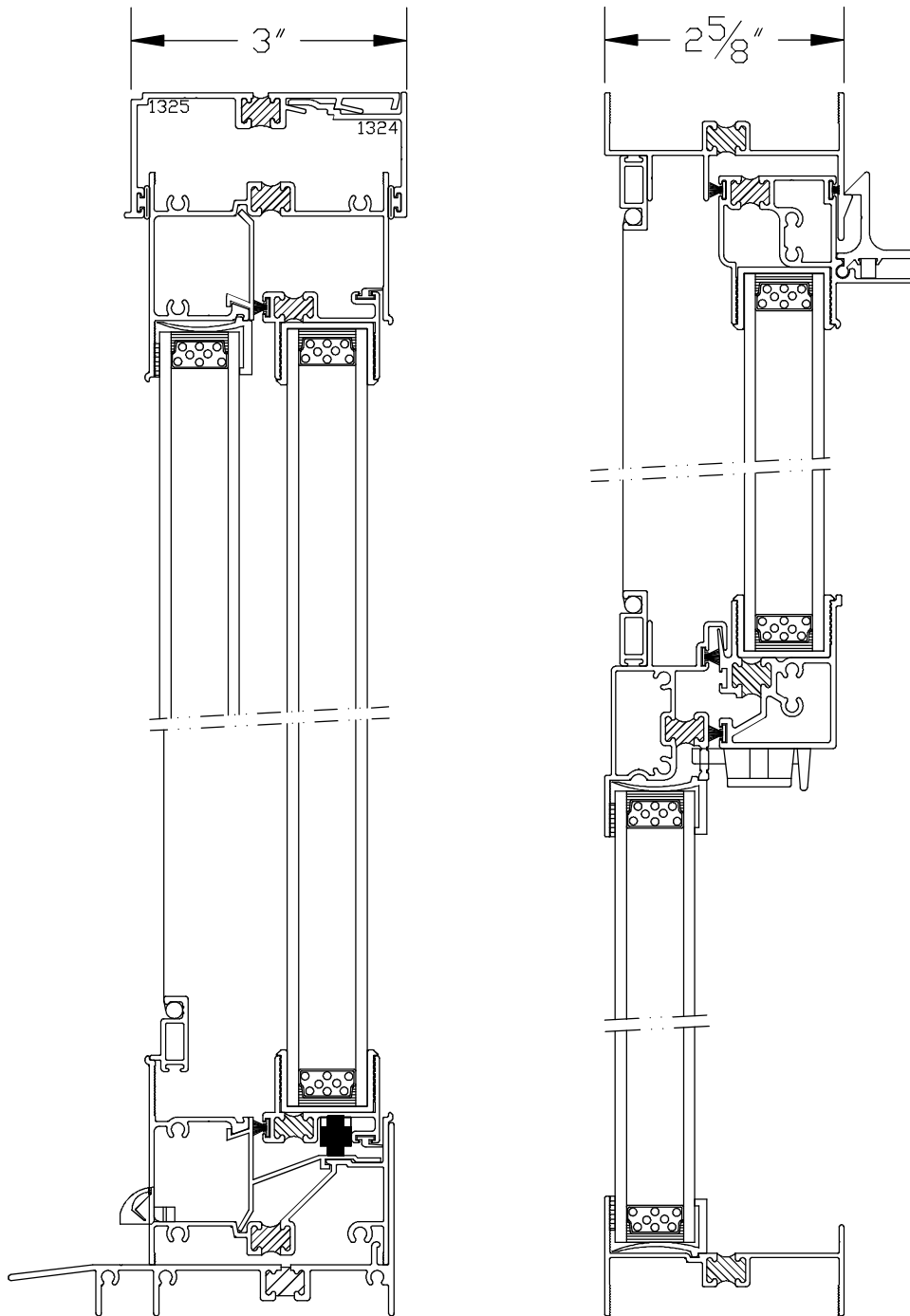
SERIES "525"

SCALE: 1/2"=1"



THERMAL  
WINDOWS, INC.

K:\CAD Library\Thermal Windows\500SERIES\525\_NO\_FIN.dwg 01/15/2013

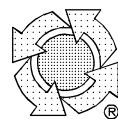


SERIES "525" w/  
HEAD REC. & SUBSILL

SCALE: 1/2"=1"

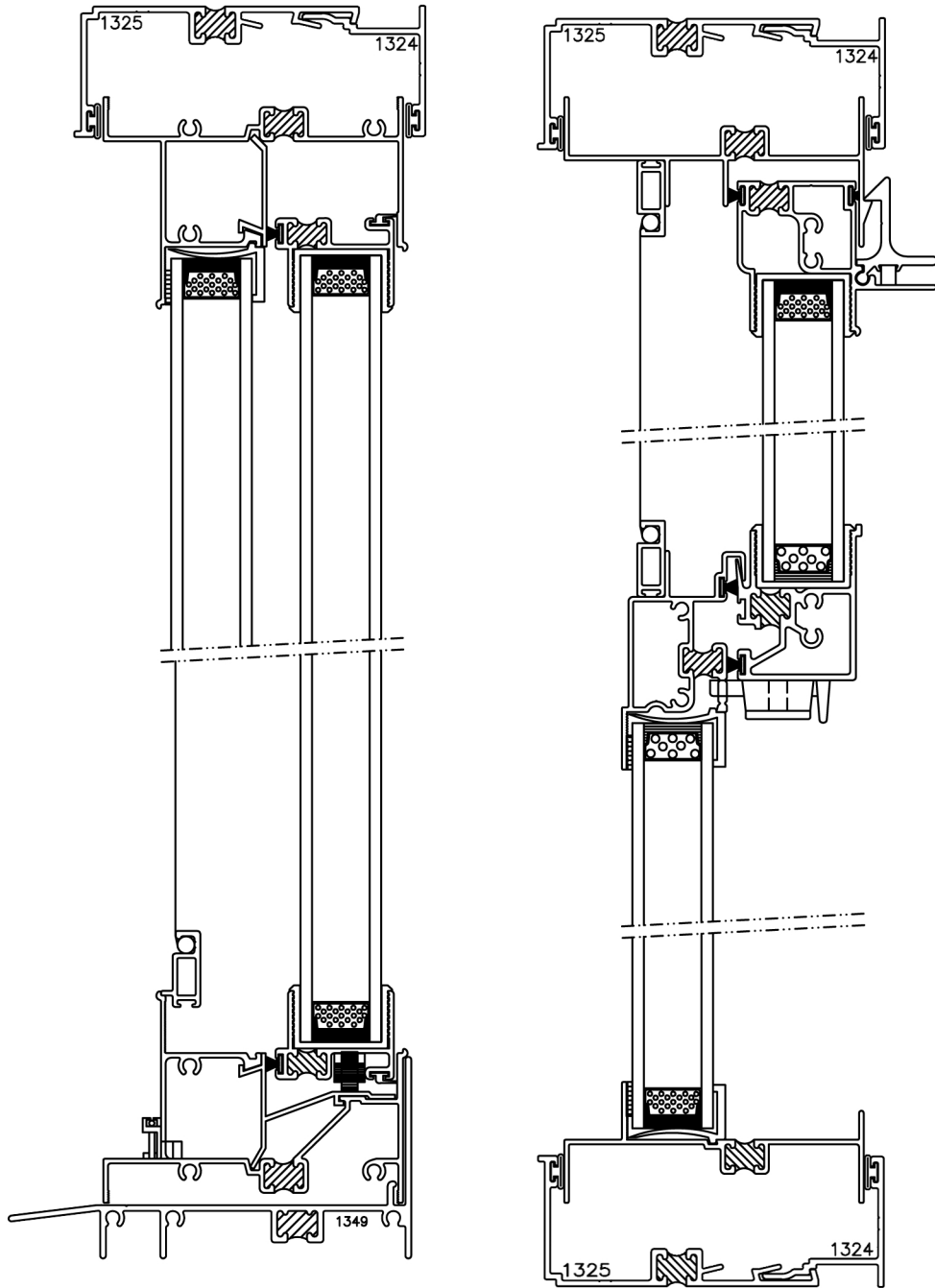
04/06/07

PAGE 01



THERMAL  
WINDOWS, INC.

(3 1/4" FRAME)



SERIES "525"

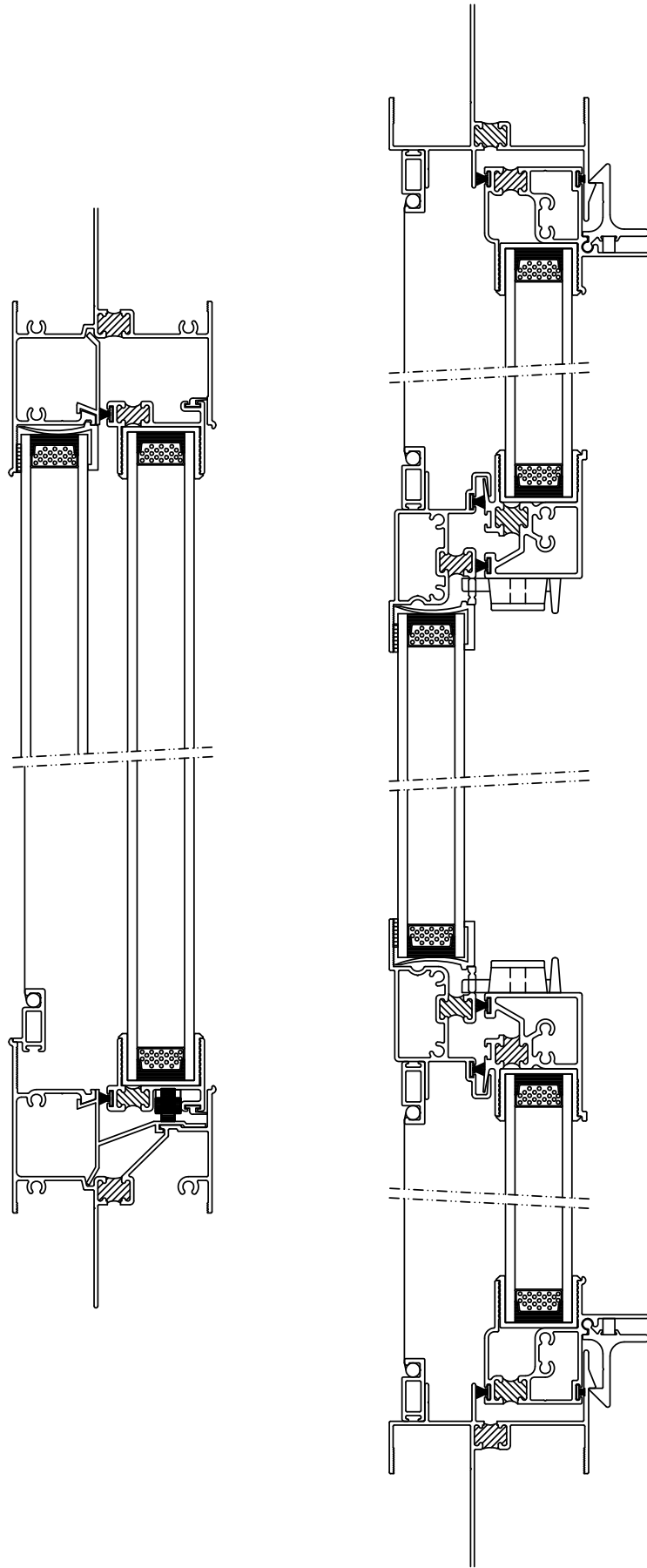
SCALE: 1/2"=1"

10/28/09

PAGE 01



THERMAL  
WINDOWS, INC.

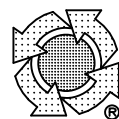


10/28/09

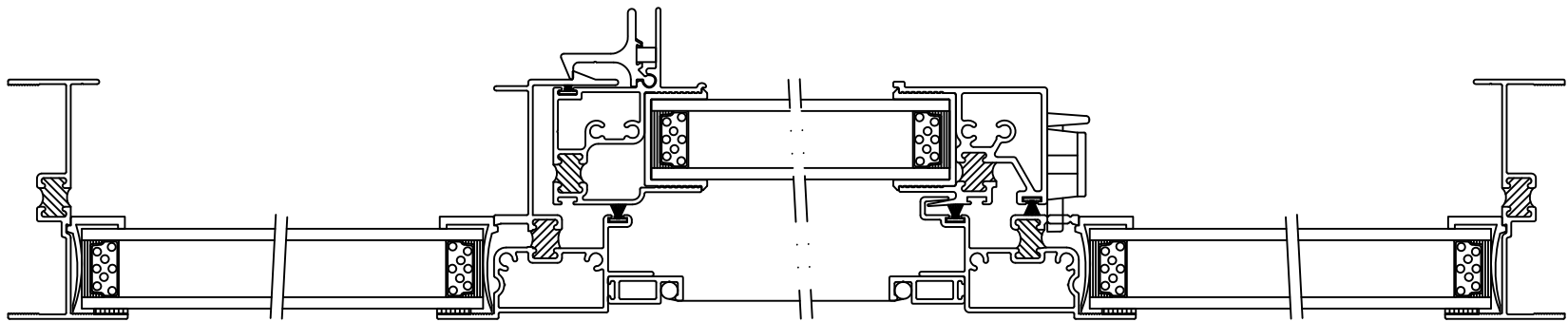
PAGE 01

SERIES "530"

SCALE: 1/2"=1"



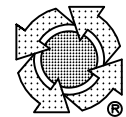
THERMAL  
WINDOWS, INC.



04/14/08

PAGE 01

# SERIES "535"  
SCALE: 1/2"=1"



THERMAL  
WINDOWS, INC.