

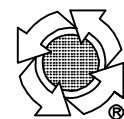
06/11/12

PAGE-01

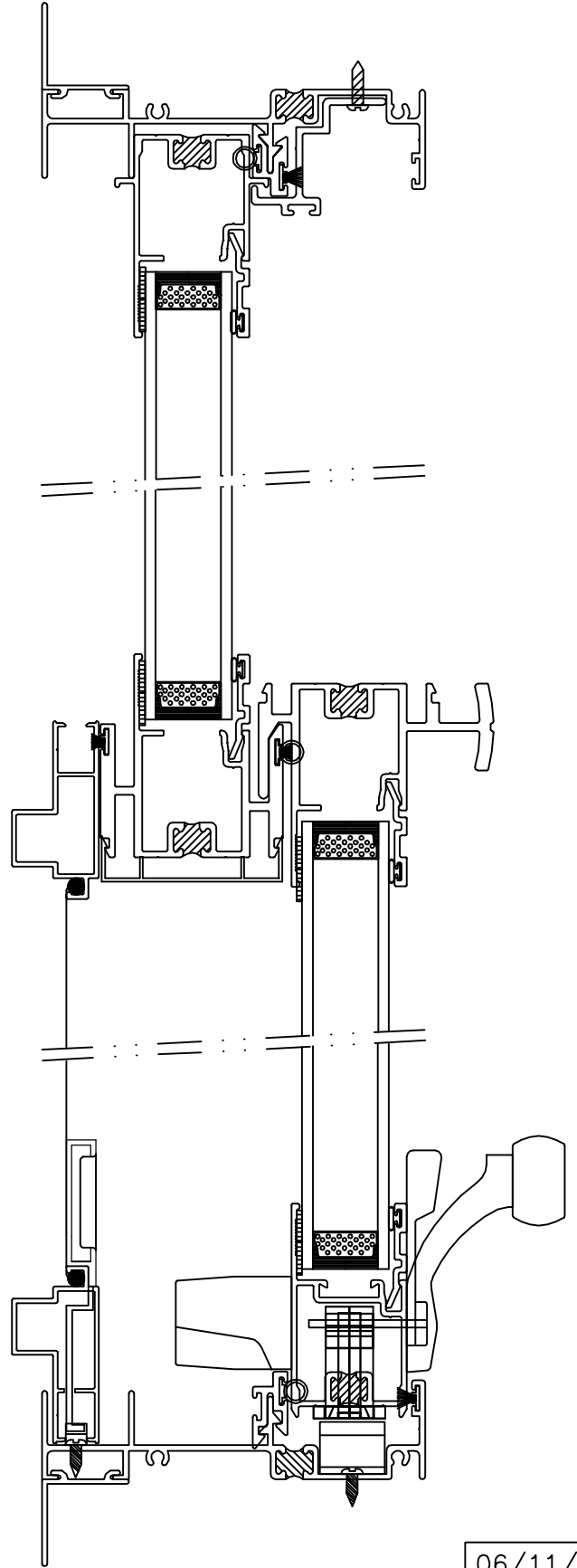
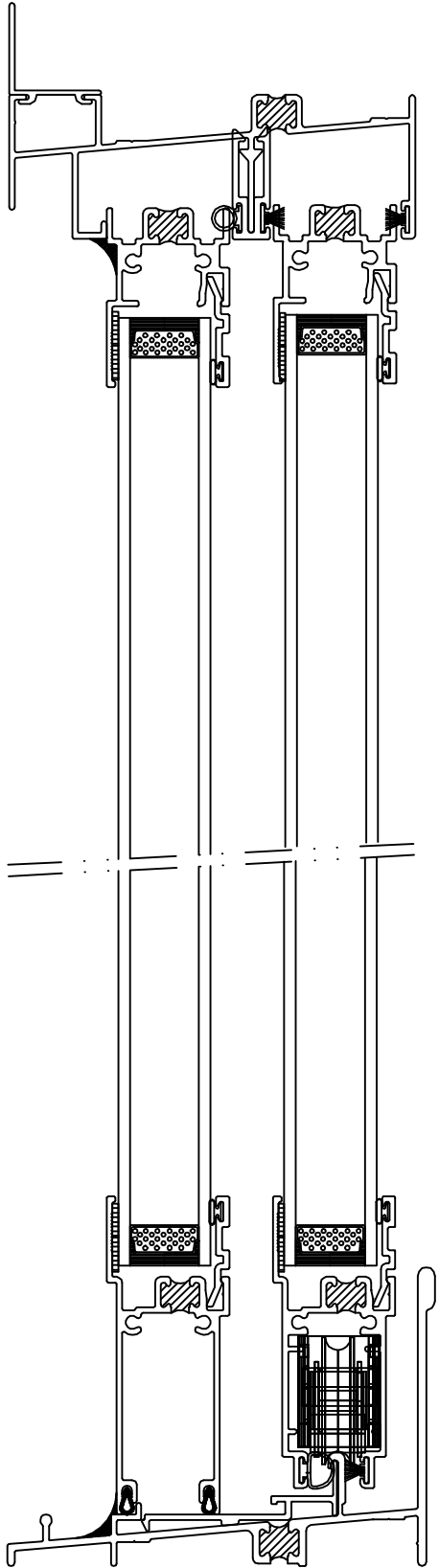
1

SERIES "9950" W/ FIN

Scale: 1/2" = 1"



THERMAL
WINDOWS, INC.



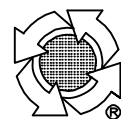
06/11/12

PAGE-01

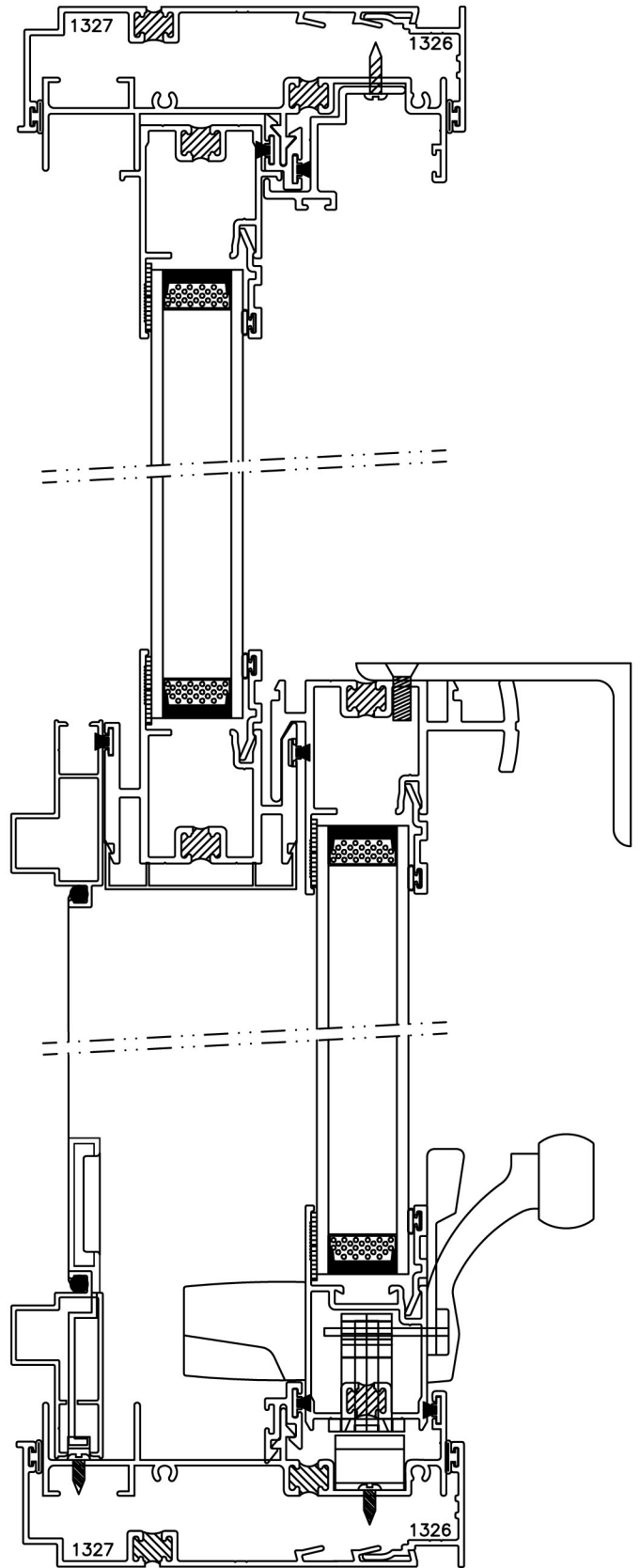
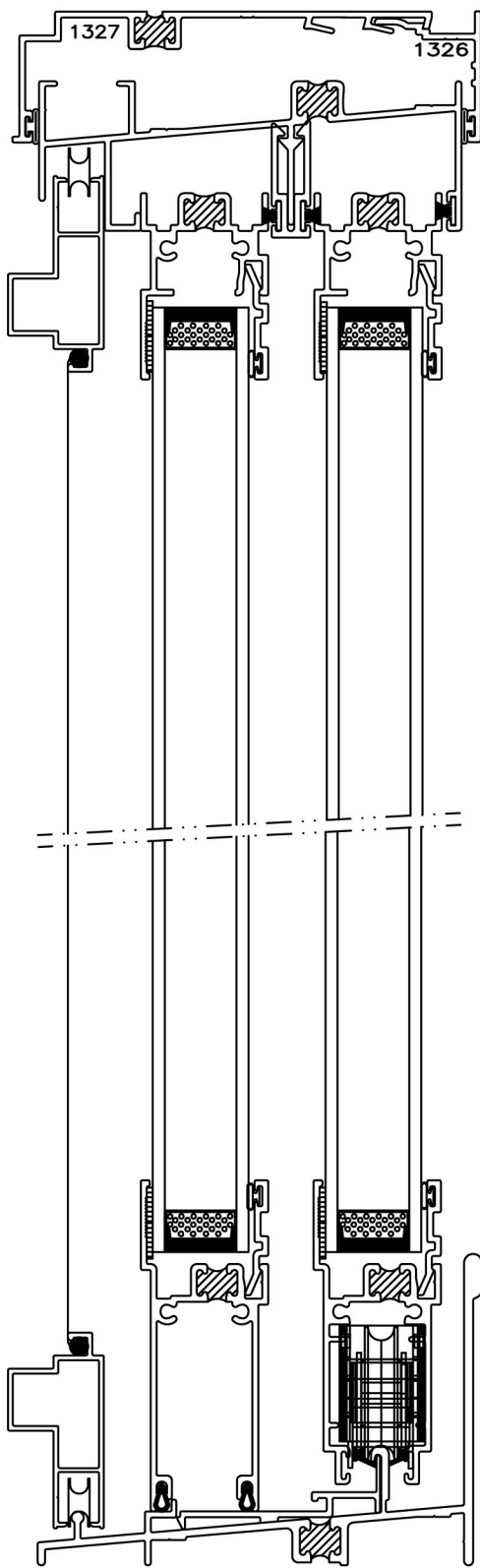
1

SERIES "9950" W/ FLANGE

Scale: 1/2" = 1"



THERMAL
WINDOWS, INC.



10/20/10

PAGE 01

* SERIES "9950-B"
SCALE: 1/2"=1"



THERMAL
WINDOWS, INC.