

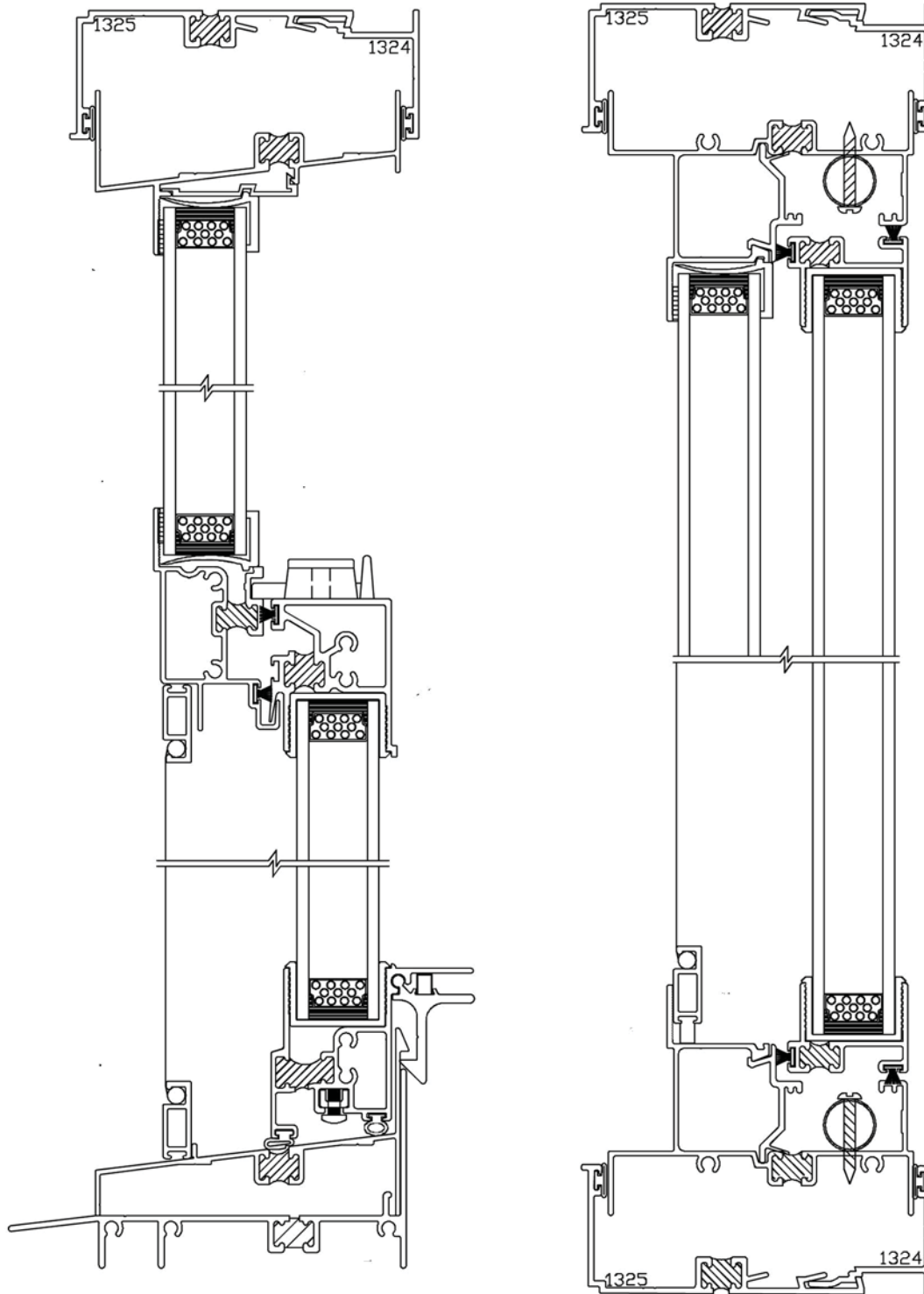
SERIES 500 2 5/8"  
w/ RECEPTOR AND SUBSILL

07/23/10

PAGE 01



THERMAL  
WINDOWS, INC.



SERIES 500 3 1/4"  
w/ RECEPTOR AND SUBSILL

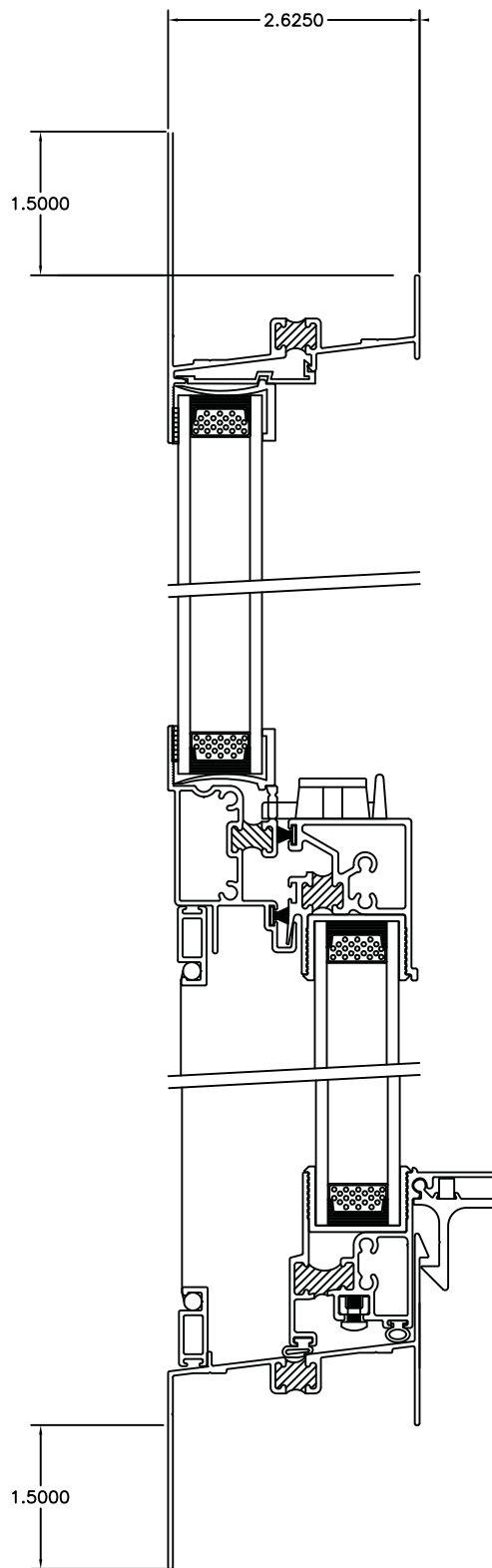
07/23/10

PAGE 01



THERMAL  
WINDOWS, INC.

HEAD

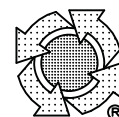


SILL

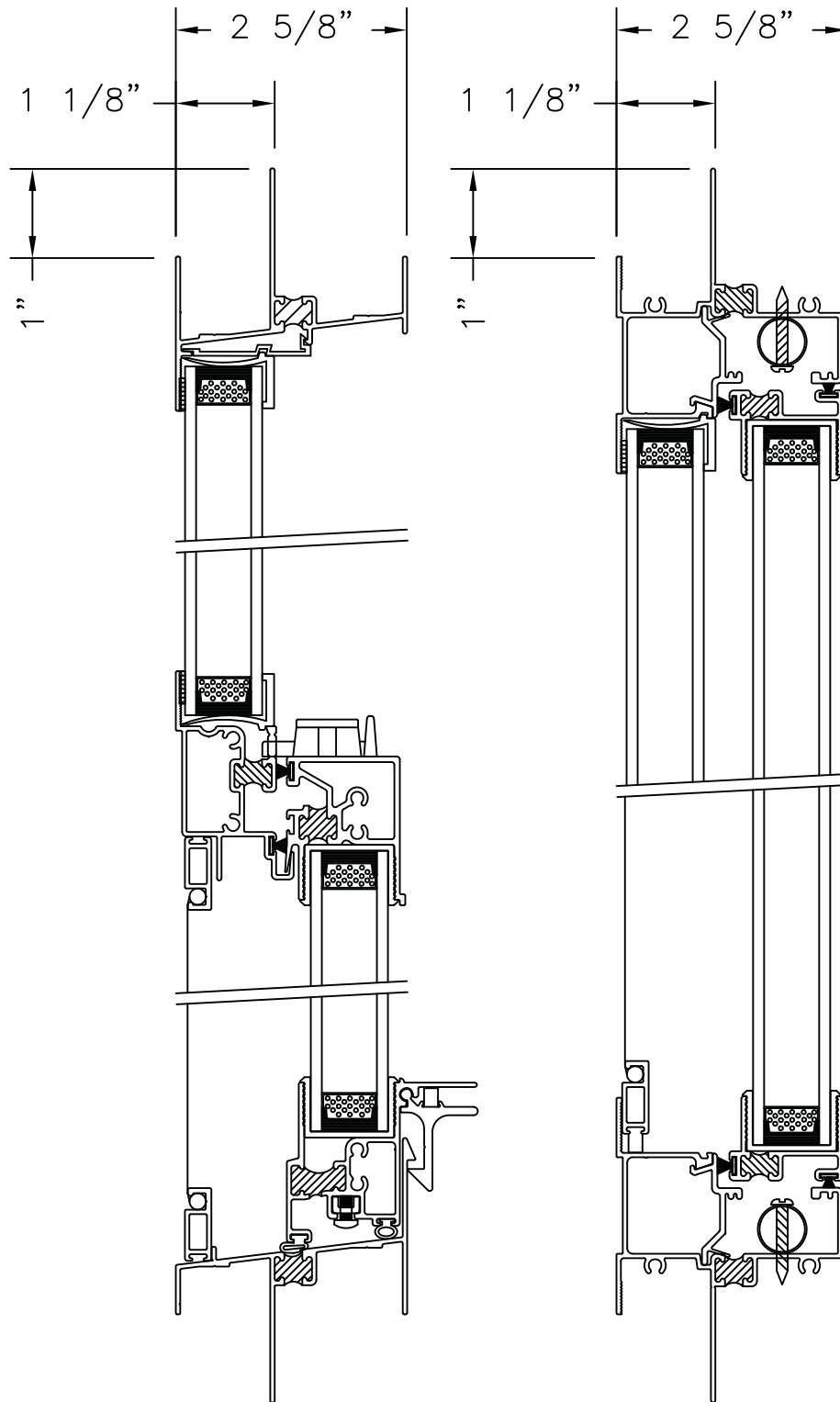
08/29/07

PAGE 01

# SERIES "500"  
SCALE: 1/2"=1"



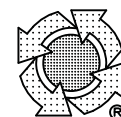
THERMAL  
WINDOWS, INC.



SERIES "500"  
 WITH NAILING FIN  
 SCALE: 1/2"=1"



04/28/08  
 PAGE 01



THERMAL  
 WINDOWS, INC.